

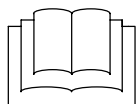
TECHNICAL MANUAL

(Safety, Operation, Manintenance, Parts)

LAWNAIRE[®] V
MODELS: 544883A, 544886

1 GENERAL INFORMATION

1.1 GENERAL INFORMATION



IMPORTANT!

THIS MANUAL WILL AID YOU IN THE SAFE OPERATION AND PROPER MAINTENANCE OF YOUR EQUIPMENT. READ MANUAL THOROUGHLY BEFORE ATTEMPTING OPERATION. IF ANY PORTION IS NOT CLEARLY UNDERSTOOD, CONTACT AN AUTHORIZED DEALER FOR CLARIFICATION.

To make sure you are fully aware of safety and service information, the following two symbols are used throughout this manual.



This symbol is used throughout the manual to alert you to information about unsafe actions or situations, and will be followed by the word DANGER, WARNING, or CAUTION. DANGER indicates immediate hazards that may result in severe injury or death. WARNING indicates unsafe actions or situations that may cause severe injury, death and/or major equipment or property damage. CAUTION indicates unsafe actions or situations that may cause injury, and/or minor equipment or property damage.

NOTE: This appears next to information or instructions which will help you operate and maintain your equipment the right way.



WARNING

The information and instructions included in this manual alert you to certain things you should do very carefully. If you do not, you could:

- hurt yourself or others
- hurt the next person who operates the equipment
- damage the equipment.

This manual contains essential operation and safety information and must remain with the unit at all times, within easy access of any operator.

Additional manuals are available through your dealer.

IMPORTANT!

THIS EQUIPMENT SHOULD NOT BE MODIFIED OR ADDED TO WITHOUT THE MANUFACTURER'S AUTHORIZATION.



WARNING

Altering this equipment in any manner which adversely affects the equipments operation, performance, durability or use, may cause hazardous conditions.

Direct any inquiries to:

Textron Turf Care and Specialty Products
Attn: Director of Engineering Services
P.O. Box 82409
Lincoln, NE 68501-2409 USA

SPECIFICATION INFORMATION

All information contained in this manual is the latest available at the time of printing. Textron Turf Care and Specialty Products reserves the right to make changes at any time without notice.

Whenever a name brand product is specified, an equivalent product may be used unless stated otherwise.

CHANGE OF OWNERSHIP OR ADDRESS

Textron Turf Care and Specialty Products makes every effort to keep owners informed of all safety related information. Therefore, changes in ownership and/or address should be reported to the manufacturer.

Your dealer has REGISTRATION CHANGE FORMS which will be filled out and filed by the dealer for his records, and a copy will be sent to the manufacturer.

DEALER INFORMATION

For your nearest dealer location write to:

Textron Turf Care and Specialty Products
Attn: Sales Coordinator
P.O. Box 82409
Lincoln, NE 68501-2409 USA

In the USA and Canada call 1-888-922-8873 (dealer information only).

TABLE OF CONTENTS

	Page
1 General Information	Inside Front Cover
2 Model Number And Serial Number Location	2
3 Specifications	3
4 Set-up	4
5 Controls	6
6 Operation	7
7 Aerating	8
8 Maintenance	9
9 Storage Instructions	10
10 Torque Chart	11
11 Parts	
11.1 Aerator & Drive Group (Built After 5-22-96)	12-15
11.2 Aerator & Drive Group (Built Prior to 5-22-96)	16-19
11.3 Controls & Handle (Built After 5-22-96)	20-21
11.4 Controls & Handle (Built Prior to 5-22-96)	22-23
11.5 Height Adjuster & Transport Frame (Built After 5-22-96)	24-25
11.6 Height Adjuster & Transport Frame (Built Prior to 5-22-96)	26-27
11.7 Decals	28-29

2 IDENTIFICATION

2.1 MODEL NUMBER AND SERIAL NUMBER LOCATION

The units model number and serial numbers are printed on the Nameplate/Identification decal located on the left side of the aerator frame. See Figure 1.

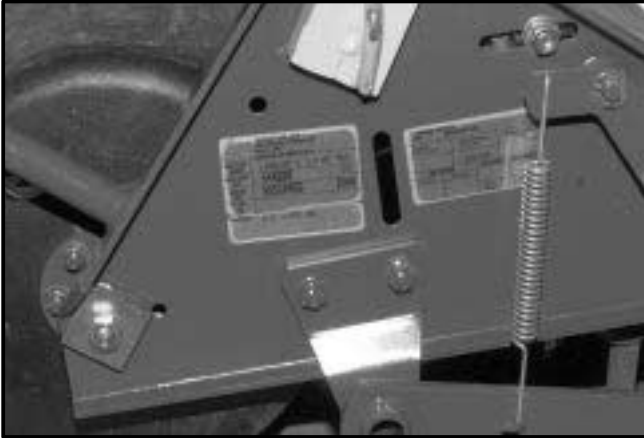


FIGURE 1

3.1 SPECIFICATIONS

Dimensions:

Width 38" (965 mm)
 Length 48" (1,219 mm)
 Height (transport) 47" (1,194 mm)
 Height (aerate) 38" (965 mm)

Net Weight:

Dry, w/o acc. weight 218 lbs. (99.0 Kg)
 Dry, w/ acc. weight 268 lbs. (121.7 Kg)
 With water tank full
 and acc. weight 339 lbs. (153.9 Kg)

Speed:

Transport 190 f.p.m. (58 M.p.m.)
 Aerate 225 f.p.m. (69 M.p.m.)

Engines:

Model 544883A

Honda, 4.0 h.p., 4 cycle
 Model GX120K1HX
 Starter Recoil, w/ rotating on/off switch
 Governor 3600 RPM, no load
 Idle Speed 1400 ± 100 RPM
 Fuel Tank Metal, .66 gal. (2.5 L)
 Gear Reduction 6 to 1

Model 544886

Briggs & Stratton 3.5 h.p., 4 cycle
 Model #093452, Type 0141, Trim .01
 Starter Recoil, w/rotating on/off switch
 Governor 3600 RPM ± 100 RPM, no load
 Idle Speed 2000 RPM
 Fuel Tank Metal, 4 qt. (3.8 L)
 Gear Reduction 6 to 1

Speed Reduction to Aerating Tine Wheel . 8.75 to 1

Drive:

Primary V Belt, 4L section
 Secondary & Transport #40 sealed roller chain

Wheels:

Front 11" (279 mm) Dia. water tank
 10.2 gal. (9.7 L) max. capacity
 Rear 2.80 / 2.50-4 4 ply pneumatic tires
 and sealed ball bearings

Aeration:

Tines 3/4" (19mm) formed from .08" hardened
 chromemolybdenum alloy steel, 42 per unit
 Penetration Depth 2 3/4" (70 mm) max.
 Swath Width 26 1/2" (673 mm)
 Hole Pattern 3 3/4" x 7" (95 x 178 mm) on center
 Production Up to 29,300 sq. ft. / hour

4 SET-UP

4.1 SET-UP

1. Remove hardware bag, handle assembly and center support.



WARNING

To prevent possible injury to yourself or bystanders, stay clear when cutting banding. Banding is under tension and may snap back when cut. Wear eye protection when cutting banding.

2. Cut banding and remove aerator from pallet.
3. With curved portion of handle pointing up and square washers on both ends of axle properly aligned (See Figure 1), attach left side of handle assembly to unit using two (2) 3/8-16 x 3/4" screws with lockwashers. Do not tighten at this time.
4. On right side, attach handle with one (1) 3/8-16 x 3/4" with lockwasher in the lower hole. Do not tighten.
5. Attach height adjustment rods to height adjustment links. Secure with cotter pins. See Figure 1.
6. Position tine cover over tines and assemble with one (1) 3/8-16 x 1 1/4" screw with lockwasher through remaining hole in handle. Secure screw with washer and locknut inside tine cover. Do not tighten at this time.

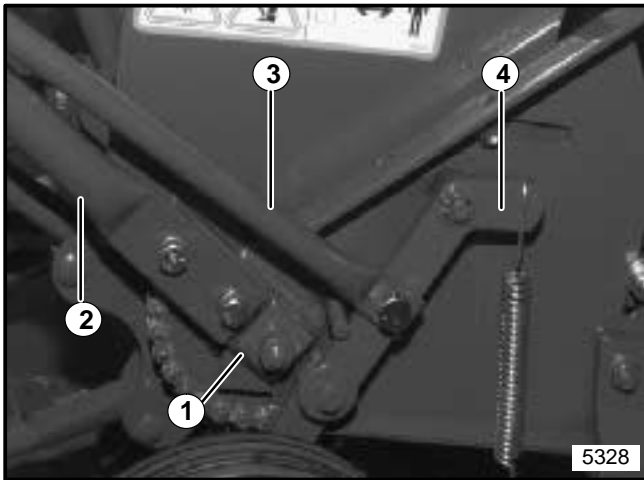


FIGURE 1

1. Square Washer, Tine Axle (Right Side)
2. Handle
3. Height Adjustment Tube
4. Height Adjustment Link

7. Attach center support to mounting bracket on handle (See Figure 2) and to mounting tab on frame at rear of engine (See Figure 3) with four (4) 3/8-16 x 3/4" flangelock screws and nuts. Tighten all hardware installed in Steps 3 through 7.

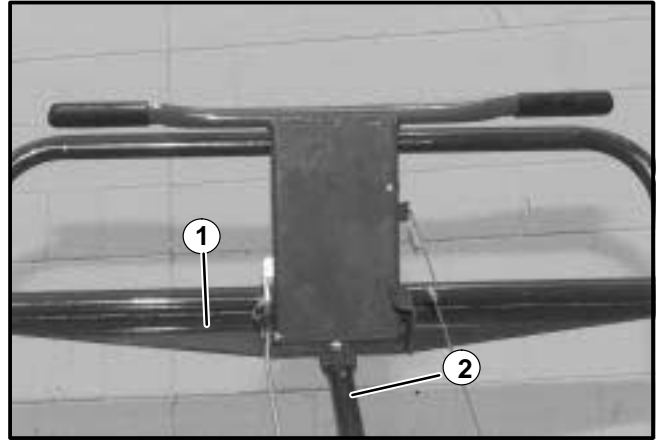


FIGURE 2

1. Handle Bracket
2. Center Support

8. Secure tine shield to center support with one (1) 5/16-18 x 1 1/2" screw, washer, lockwasher and locknut. See Figure 3.

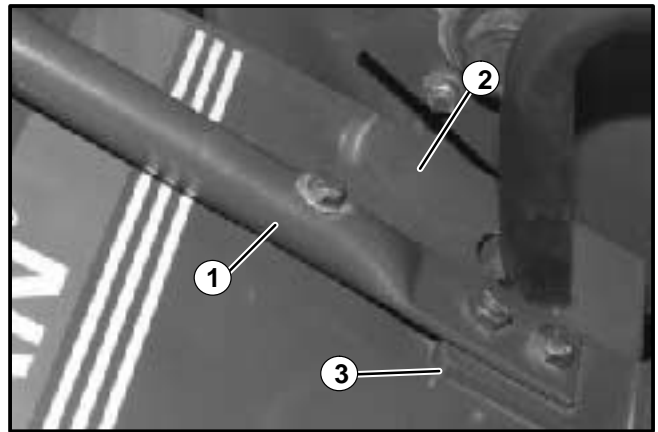


FIGURE 3

1. Center Support
2. Tine Shield
3. Mounting Tab

9. Connect clutch cable to clutch spring and spring to clutch handle. See Figure 4.

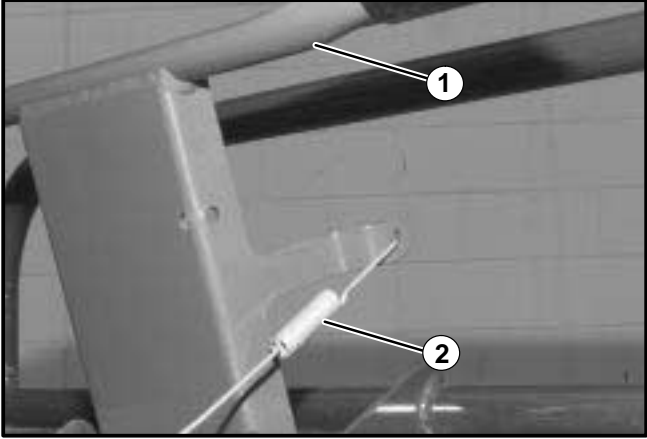


FIGURE 4

- 1. Clutch Handle**
- 2. Clutch Spring**

10. Hook ball end of clutch cable into the cable clip on bellcrank (See Figure 5). Adjust position of cable clip so that when the clutch handle is pulled back, and the idler pulley fully engages the drive belt, the clutch spring is extended approximately 3/8" (9.5 mm). Release clutch handle and make sure the drive belt is disengaged.

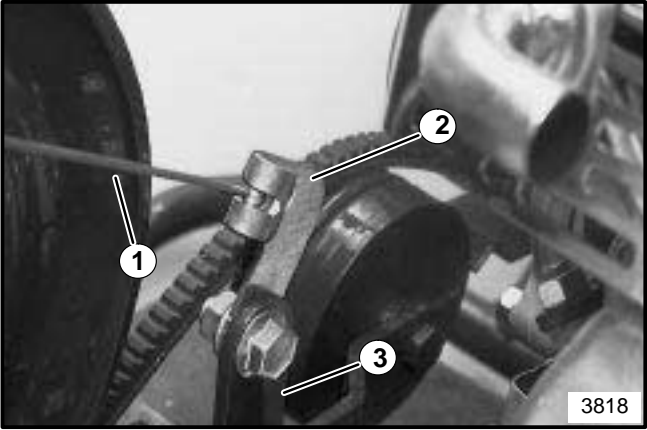
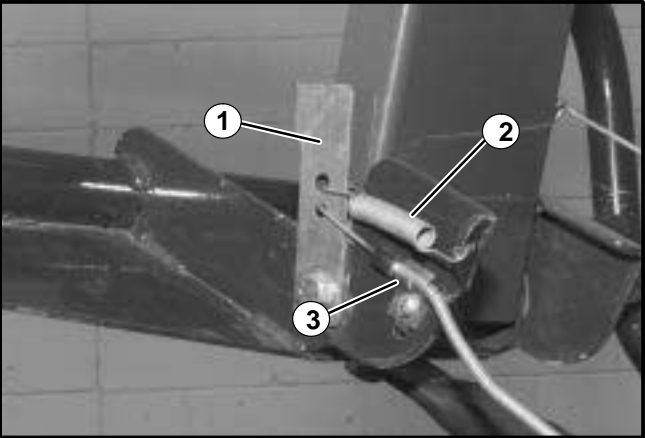


FIGURE 5

- 1. Clutch Cable**
- 2. Cable Clip**
- 3. Bellcrank**

11. Unwrap throttle cable from engine. Hook cable end into throttle lever on right side of clutch handle. Install cable clamp as shown in Figure 6, do not tighten clamp. Attach spring to throttle lever and bracket.

NOTE: To prevent spring from rubbing against handle bracket, spring must be installed as shown in Figure 6.



4433

FIGURE 6

- 1. Throttle Lever**
- 2. Spring**
- 3. Throttle Cable Clamp**

12. Pull clutch handle all the way back and push throttle cable forward until throttle lever on engine is fully advanced, then tighten the throttle cable clamp.

13. Inflate tires to maximum pressure indicated on tire for best performance and ease of operation.

5 CONTROLS

5.1 CONTROLS

HEIGHT CONTROL HANDLE (Refer to Figure 7) Push down on Height Control Handle to lower tines and begin aerating. Pull up on handle to raise tines.

CLUTCH CONTROL HANDLE (Refer to Figure 7) Pull back on Clutch Control Handle to engage clutch and increase engine speed. Release handle to disengage clutch and return engine to idle speed.

 **WARNING**
Unit will roll if clutch is released on incline.

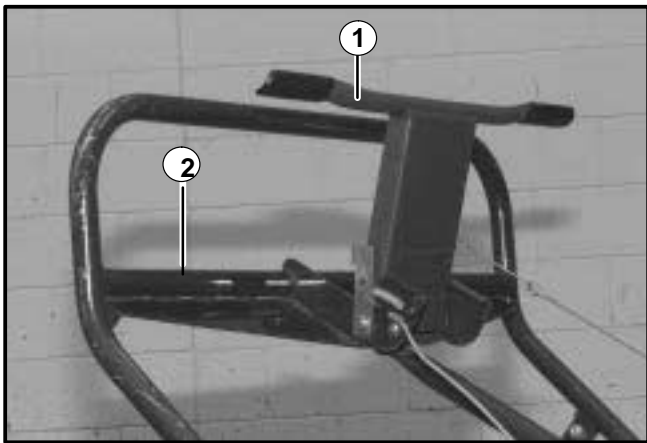


FIGURE 7

- 1. Clutch Control Handle
- 2. Height Control Handle

ENGINE CONTROLS (Refer to Figure 8) The engine is equipped with a Choke, a Fuel Valve, and an On/Off switch. Fuel valve, and On/Off switch must both be “ON” to start engine. Turn On/Off switch to “OFF” to stop engine.

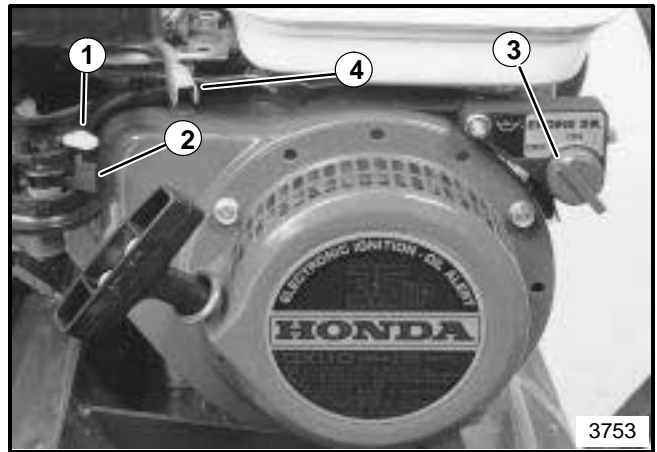


FIGURE 8

- 1. Choke
- 2. Fuel Valve
- 3. On/Off Switch
- 4. Throttle Lever (Controlled by Clutch handle)

6.1 OPERATION**Pre-operation Check**

Visually check all moving parts and all fasteners. If loose or broken, tighten or replace. Check tines and replace if bent or broken.

Check tire pressure. Inflate to maximum pressure indicated on tire for best performance and ease of operation.

Lubricate all fittings with a standard lithium based lubricant before initial operation and after every four hours of operation. Wipe off fittings before and after lubricating.

With unit in a level position, check engine crankcase and gear reduction case oil levels. Fill as needed following engine manufacturer's recommendations for oil type and amount.

Fill fuel tank. See engine manufacturer's specifications.

**WARNING**

Gasoline is extremely flammable and highly explosive under certain conditions. Always stop the engine and **DO NOT** smoke or allow open flames or sparks near unit when refueling.

Never start or run the engine inside where exhaust fumes can collect. Carbon monoxide present in the exhaust is an odorless and deadly gas.

Do not operate unit without shields in place. Do not make adjustments or perform any maintenance while engine is running.

Before operating the unit, check the area to be aerated for any objects that may present a safety hazard or damage the equipment.

This unit is not designed to be used on steep slopes. To prevent injury and/or damage to unit, use extreme caution when operating near terraces or on hilly terrain. Travel across slopes at a 45° angle to reduce the chance of tipping the unit. Do not release the clutch handle while on a slope, this allows the unit to free wheel and it will roll down the slope.

NOTE: Never cross hard objects or surfaces (sidewalks, driveways, stepping stones etc.) with tines down.

7 AERATION

7.1 AERATING

NOTE: For best performance and maximum tine penetration, lawn should be watered thoroughly the day before aeration.

Rotate water tank until the filler plug (left side of tank) is at the top. Remove plug and fill tank with water. Replace plug. See Figure 9.

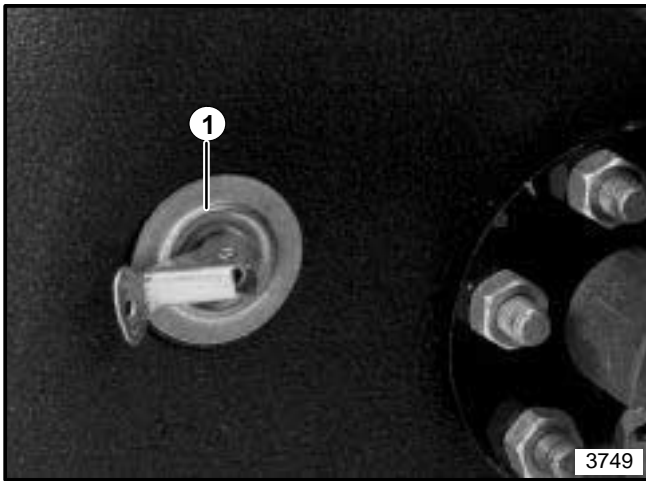


FIGURE 9

1. Water Tank Filler Plug

Move On/Off switch and Fuel Valve to “ON” position. Pull recoil starter and choke as necessary to start engine.

Make sure tines are up (pull up on height control lever) for transport. Slowly pull back on clutch handle and transport unit to work area.

To begin aerating, release clutch to stop unit at starting point. Lower tines by pushing down on height control lever. Slowly pull back on clutch handle to start aerating.

For maximum turf penetration, push down on handle to shift weight to the tines.

At the end of each aerating pass, release clutch and lift up on handle. Engage clutch just enough to aid in turning the unit. Lower handle and engage clutch fully for next aerating pass.

NOTE: Units equipped with HONDA engines have a low oil sensor, designed to prevent engine damage. When the engine senses a low oil condition, (may be caused by operating unit on steep slopes) the system automatically shuts down the engine.

The engine will not start until low oil condition is corrected. Add oil or move unit to level surface to continue operation. Refer to Engine Owner’s Manual.

When finished aerating, release clutch and pull up on height control lever to raise tines for transport.

Remove plug and drain water tank.

8.1 MAINTENANCE



WARNING

When replacement parts are required, use genuine Cushman parts or parts with equivalent characteristics including type, strength and material. Failure to do so may result in product malfunction and possible injury to the operator and/or bystanders.

Any warning decal that becomes illegible must be replaced immediately.

DO NOT operate unit without all shields in place.

DO NOT make adjustments or perform maintenance on unit while engine is running.

AFTER EACH USE:

Thoroughly clean all tines inside and out and apply a light coat of oil to prevent the tines from rusting.

Check engine and gear reduction case oil levels with unit in a level position. Fill to required level if necessary. Change the oil in both the crankcase and the gear reduction case according to the schedule recommended by the engine manufacturer.

Inspect the air filter element and replace when necessary.

Lubricate all lubrication fittings. Wipe each fitting clean before and after lubricating.

Inspect drive belt for wear or damage. Replace if necessary.

Drain water from tank. Any water left in tank may freeze and damage the tank.

NOTE: Belt should be kept clean. Oil and dirt may cause belt to slip resulting in excessive wear and failure.

Check roller chains for tightness and wear. Apply a light coat of No. 30 oil or penetrating chain lubricant to keep chain clean and in proper running order.

NOTE: Adjustable idler sprockets allow adjustment of chain tension. Chains should have 1/8" to 1/4" (3 to 6 mm) deflection halfway between sprockets. Excessively tight chains will shorten bearing life.

8.2 TOUCH-UP PAINT

Evergreen Green (Dark green)

16 oz. (0.5 L) spray can, order Part No. 825361

1 qt. (0.95 L) can, order Part No. 825363

Turkin Green (Lead free – light green)

16 oz. (0.5 L) spray can, order Part No. 523340

1 qt. (0.95 L) can, order Part No. 523339

Ransomes Green (Medium green)

16 oz. (0.5 L) spray can, order Part No. 838140

1 qt. (0.95 L) can, order Part No. 838141

9 STORAGE

9.1 STORAGE INSTRUCTIONS



WARNING

To prevent possible explosion or ignition of vaporized fuel, do not store unit in enclosure with open flame (Example: furnace or water heater pilot light).

Before the unit is put into storage for any period exceeding 30 days, the following steps should be taken:

1. Drain all fuel from fuel tank and fuel lines.
2. Start and run engine until all fuel is used from carburetor float bowl.
3. While engine is still warm, drain the crankcase oil and replace with the proper weight oil corresponding to the season the equipment will next be used.

4. Remove the spark plug and squirt a small amount of engine oil into the cylinder. Pull the starter a few times to coat the cylinder with the oil. Reinstall the sparkplug.
5. Lubricate all lubrication fittings.
6. BE SURE the water tank has been drained.

To put unit back into operation after extended storage:


- Check for loose or broken parts and tighten or replace as necessary.
- Check for cracked, bent or broken tines and replace as necessary.
- Fill fuel tank with fresh fuel.
- Check oil levels in crankcase and gear reduction case (with unit in level position).
- Start engine and check for fuel leaks.
- Repair any fuel leaks immediately.
- Check clutch lever operation to be sure unit stops when clutch lever is released.

**TORQUE SPECIFICATIONS
HEX HEAD CAP SCREWS**

The torque values shown should be used as a general guideline when specific torque values are not given.

U.S. Standard Hardware

Grade	Shank Size (Diameter in inches, fine or coarse thread)													
		1/4	5/16	3/8	7/16	1/2	9/16	5/8	3/4	7/8	1	1 1/8		
SAE grade 5*	ft.-lbs.	9	18	31	50	75	110	150	250	378	583	782		
	N-m	12	24	42	68	102	150	203	339	513	790	1060		
SAE grade 8**	ft.-lbs.	13	28	46	75	115	165	225	370	591	893	1410		
	N-m	18	38	62	108	156	224	305	502	801	1211	1912		
Flangelock Screw w/ Flangelock Nut	ft.-lbs.		24	40										
	N-m		33	54										


* Grade 5 marking –  Minimum commercial quality (Lower quality not recommended).


** Grade 8 marking – 

Metric Standard Hardware

Grade	Shank Size (Diameter in millimeters, fine or coarse thread)														
		M4	M5	M6	M7	M8	M10	M12	M14	M16	M18	M20	M22	M24	M27
Grade 8.8*	ft.-lbs.	2	4	7	11	18	32	58	94	144	190	260	368	470	707
	N-m	1.5	3	5.2	8.2	13.5	24	43.5	70.5	108	142	195	276	353	530
Grade 10.9**	ft.-lbs.	3	6	10	16	25	47	83	133	196	269	366	520	664	996
	N-m	2.2	4.5	7.5	12	18.8	35.2	62.2	100	147	202	275	390	498	747
Grade 12.9***	ft.-lbs.	3.6	7	11	20	29	58	100	159	235	323	440	628	794	1205
	N-m	2.7	5.2	8.2	15	21.8	43.5	75	119	176	242	330	471	596	904

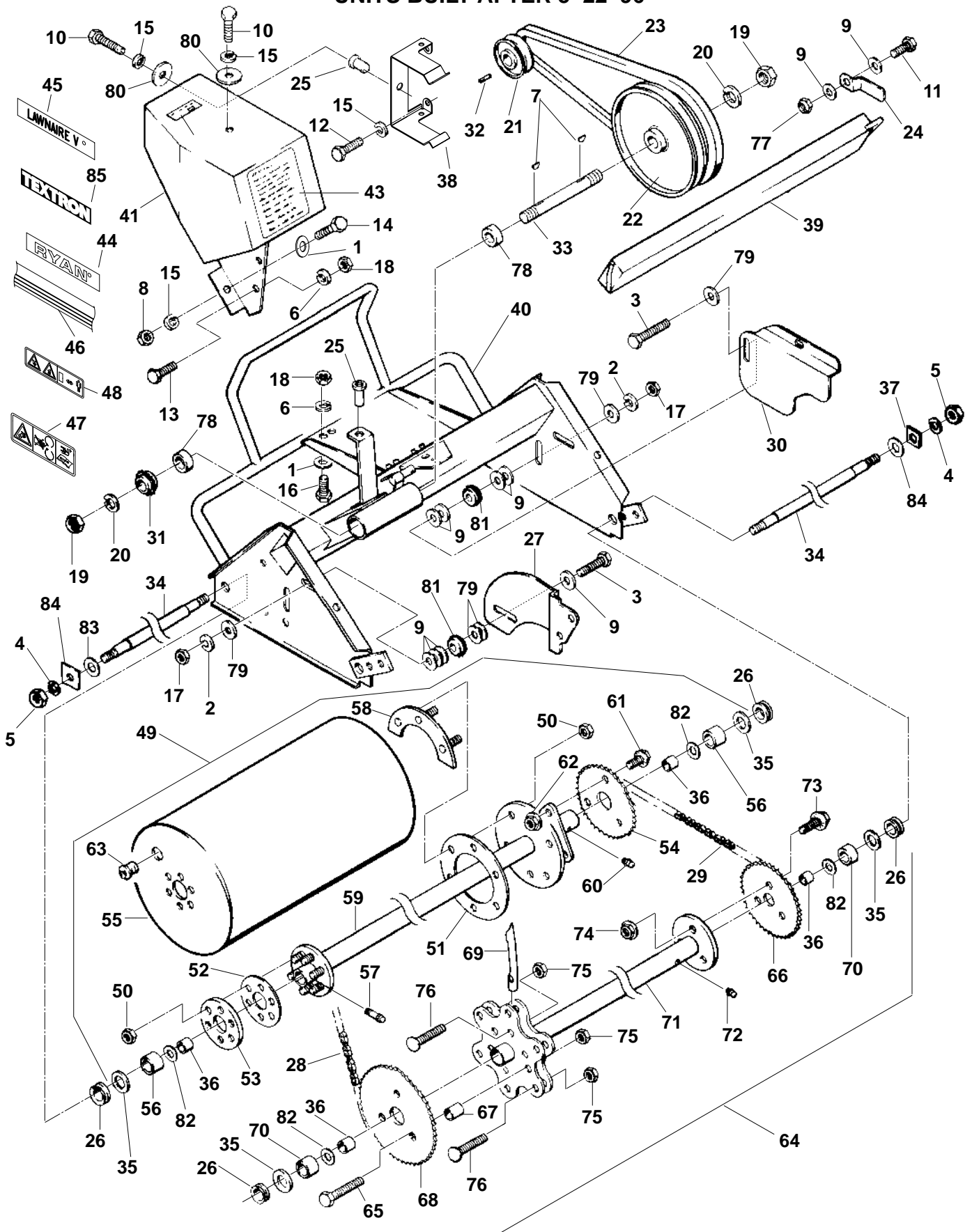
* Grade 8.8 marking – 

** Grade 10.9 marking – 

*** Grade 12.9 marking – 

11.1 AERATOR & DRIVE GROUP

UNITS BUILT AFTER 5-22-96



UNITS BUILT AFTER 5-22-96

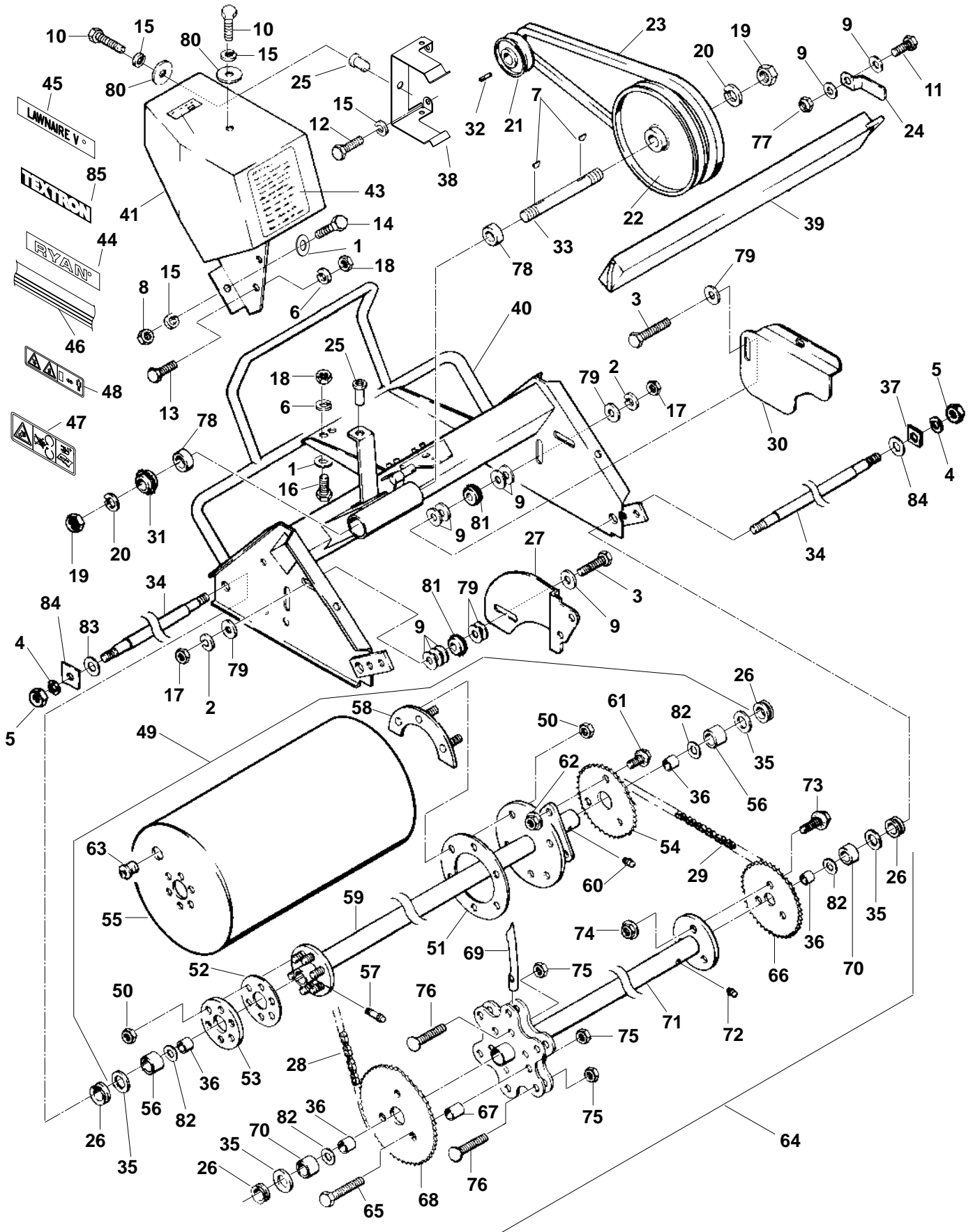
Ref. No.	Part No.	Description	No. Req'd	Notes
1	103867	Washer, 5/16"	4	
2	120177	Lockwasher, 3/8"	2	
3	2702117	Screw, 3/8-16 x 2"	2	
4	303269	Lockwasher, 7/16"	4	
5	304364	Nut, 7/16-14	4	
6	306325	Lockwasher, 5/16"	6	
7	306367	Key, #9 woodruff	2	
8	306375	Nut, 1/4-20	1	
9	306405	Washer, 3/8	10	
10	306409	Screw, 1/4-20 x 7/8"	2	
11	306414	Screw, 3/8-16 x 1"	1	
12	306418	Screw, 1/4-20 x 1 1/8"	2	
13	306322	Screw, 5/16-18 x 7/8"	3	
14	300646	Screw, 1/4-20 x 3/4"	2	
15	306488	Lockwasher, 1/4"	5	
16	306501	Screw, 5/16-18 x 1 1/2"	4	
17	306562	Nut, 3/8-16	2	
18	306932	Nut, 5/16-18	6	
19	311745	Nut, 3/4-16	2	
20	312272	Lockwasher, 3/4"	2	
21	521608	Pulley, engine, 4" (102 mm)	1	
22	521609	Pulley, 10" (254 mm)	1	
23	521613	Belt, 47" (1194 mm)	1	
24	522355	Latch, weight	1	
25	522516	Mount, isolation	2	
26	523241	Seal, v-ring	4	
27	523352	Guard, chain (LEFT)	1	
28	540291	Chain, #40 sealed (75 links w/connector)	1	
*	522122	•Link, connector, #40 sealed	1	Not illustrated.
29	547889	Chain, #40 sealed (86 links w/connector)	1	
*	522122	wLink, connector, #40 sealed	1	Not illustrated.
30	523359	Guard, chain (RIGHT)	1	
31	841261	Sprocket, 16 tooth	1	
32	548366	Key, 3/16" x 3/16" x 1 1/4"	1	
33	523795	Shaft, pulley	1	
34	523828	Shaft, axle	2	
35	523829	Washer, thrust	4	
36	523885	Race, bearing	4	
37	523890	Washer, special	2	
38	545904	Stop, belt	1	
39	547821	Weight	1	
40	547825	Frame	1	
41	547828	Guard, belt	1	
42	521787	•Decal, warning	1	

• INDENTED PART NAMES INDICATE THESE PARTS INCLUDED IN THE PRECEDING ASSEMBLY.

NOTE: Obtain Replacement Engine Locally

11.1 AERATOR & DRIVE GROUP (CONT'D.)

UNITS BUILT AFTER 5-22-96



UNITS BUILT AFTER 5-22-96

Ref. No.	Part No.	Description	No. Req'd	Notes
43	522131	•Decal, operating instructions	1	
44	524281	•Decal, RYAN, 1"	1	
45	524362	•Decal, Lawnaire V	1	
46	838494	•Decal, stripe, 2.38" x 20' (6.1 M)	As Req'd	
47	840697	•Decal, warning (hands in belt)	1	
48	869081	•Decal, danger (hands & feet)	1	
49	547832	Tank, water, complete	1	
50	306932	•Nut,	12	
51	522480	•Gasket, 4 1/2" (114 mm)	1	
52	522481	•Gasket, 3" (76 mm)	1	
53	522586	•Plate, cap, 3" (76 mm)	1	
54	522674	•Sprocket, tank	1	
55	523779	•Tank, water	1	
56	2700541	•Bearing, needle	2	
57	523912	•Fitting, lubrication	1	
58	545887	•Ring, split	2	
59	547823	•Tube, drive	1	
60	548224	•Fitting, lubrication, 1/4-28	1	
61	548604	•Screw, flangelock, 5/16-18 x 3/4"	3	
62	548911	•Nut, flangelock, 5/16-18	3	
63	821274	•Plug, drain	1	
64	547846	Wheel, tine, complete	1	
65	306501	•Screw, 5/16-18 x 1 1/2"	3	
66	521582	•Sprocket	1	
67	521588	•Bushing	3	
68	522229	•Sprocket, drive	1	
69	522361	•Tine, 3/4" (19 mm)	42	
70	2700541	•Bearing, needle	2	
71	547820	•Wheel, tine	1	
72	548224	•Fitting, lubrication, 1/4-28	1	
73	548604	•Screw, 5/16-18 x 3/4"	3	
74	548911	•Nut, flangelock, 5/16-18	3	
75	800290	•Nut, lock, 5/16-18	87	
76	800606	•Bolt, carriage, 5/16-18 x 1 1/2"	84	
77	548052	Nut, lock, 3/8-16	1	
78	548118	Bearing, ball	2	
79	306981	Washer, 3/8"	5	
80	548175	Washer, 1/4"	2	
81	548960	Sprocket, idler	2	
82	523939	•◇Spacer, axle	As Req'd	
83	548477	•◇Spacer	As Req'd	
84	524807	Washer, special	2	
85	844847	Decal, Textron	1	

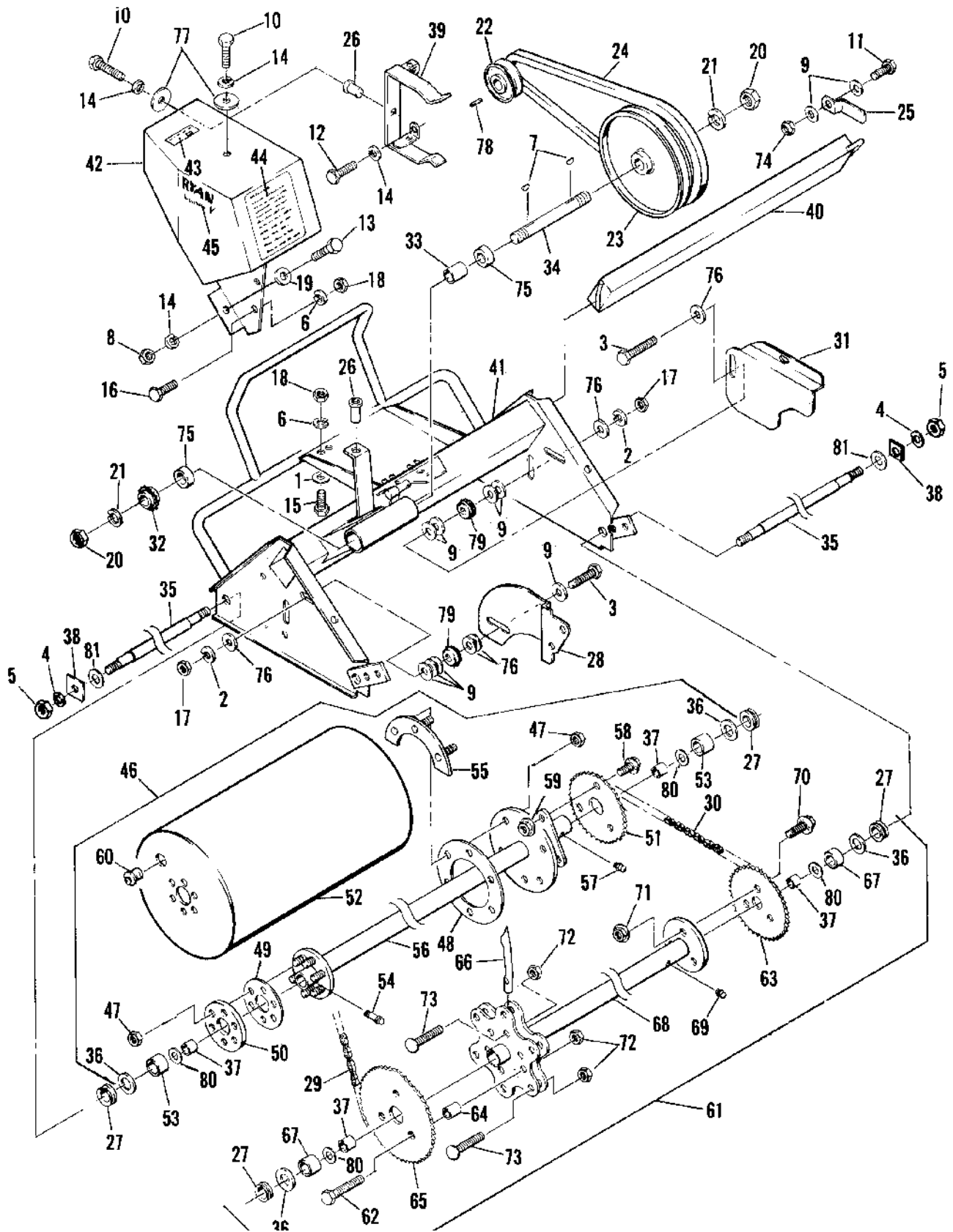
• INDENTED PART NAMES INDICATE THESE PARTS INCLUDED IN THE PRECEDING ASSEMBLY.

NOTE: Obtain Replacement Engine Locally

◇ These spacers are used to obtain a maximum of 1/32" end play on the water tank and tine wheel axles. This amount of end play insures that the V-ring seal is properly sealed against the chassis.

11.2 AERATOR & DRIVE GROUP

UNITS BUILT PRIOR TO 5-22-96



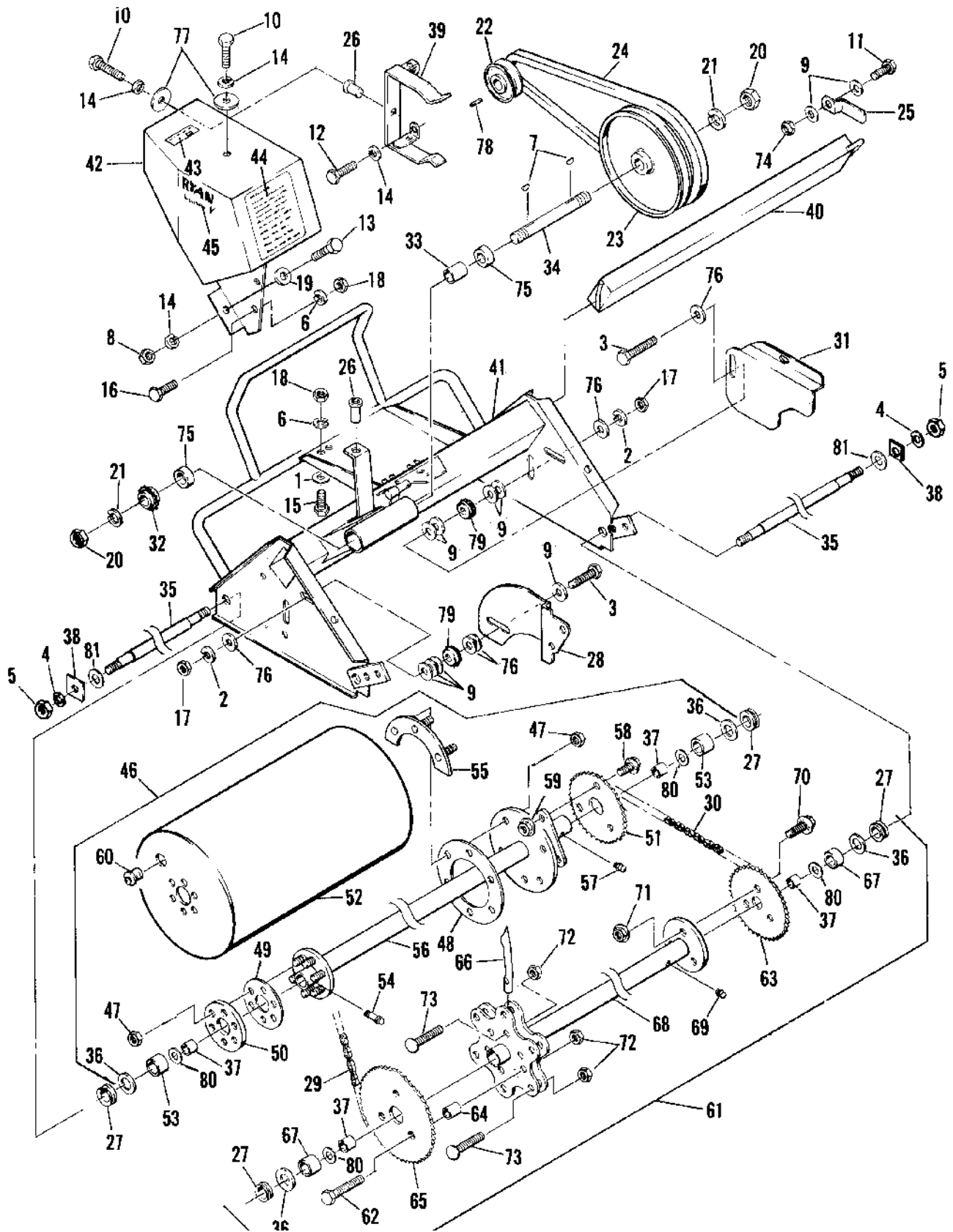
UNITS BUILT PRIOR TO 5-22-96

Ref. No.	Part No.	Description	No. Req'd	Notes
1	103867	Washer, 5/16"	4	
2	120177	Lockwasher, 3/8"	2	
3	2702117	Screw, 3/8-16 x 2"	2	
4	303269	Lockwasher, 7/16"	4	
5	304364	Locknut, 7/16-14	4	
6	306325	Lockwasher, 5/16"	6	
7	306367	Key, #9 woodruff	2	
8	306375	Nut, 1/4-20	1	
9	306405	Washer, 3/8"	10	
10	306409	Screw, 1/4-20 x 7/8"	2	
11	306414	Screw, 3/8-16 x 1"	1	
12	306418	Screw, 1/4-20 x 1 1/8"	2	
13	306487	Screw, 1/4-20 x 5/8"	2	
14	306488	Lockwasher, 1/4"	5	
15	306501	Screw, 5/16-18 x 1 1/2"	4	
16	306555	Screw, 5/16-18 x 5/8"	2	
17	306562	Nut, 3/8-16	2	
18	306932	Nut, 5/16-18	6	
19	308090	Washer, 1/4"	2	
20	311745	Nut, 3/4-16	2	
21	312272	Lockwasher, 3/4"	2	
22	521608	Pulley, engine, 4" (102 mm)	1	
23	521609	Pulley, 10" (254 mm)	1	
24	521613	Belt, 47" (1194 mm)	1	
25	522355	Latch, weight	1	
26	522516	Mount, isolation	2	
27	523241	Seal, v-ring	4	
28	523352	Guard, chain (LEFT)	1	
29	547888	Chain, #40 sealed (74 links w/connector)	1	
*	522122	•Link, connector, #40 sealed	1	Not illustrated.
30	547889	Chain, #40 sealed (86 links w/connector)	1	
*	522122	w/Link, connector, #40 sealed	1	Not illustrated.
31	523359	Guard, chain (RIGHT)	1	
32	523603	Sprocket	1	
33	523794	Bushing	1	
34	523795	Shaft, pulley	1	
35	523828	Shaft, axle	2	
36	523829	Washer, thrust	4	
37	523885	Race, bearing	4	
38	523890	Washer, special	2	
39	545904	Stop, belt	1	
40	547821	Weight	1	

• INDENTED PART NAMES INDICATE THESE PARTS INCLUDED IN THE PRECEDING ASSEMBLY.
NOTE: Obtain Replacement Engine Locally

11.2 AERATOR & DRIVE GROUP (CONT'D.)

UNITS BUILT PRIOR TO 5-22-96



UNITS BUILT PRIOR TO 5-22-96

Ref. No.	Part No.	Description	No. Req'd	Notes
41	547825	Frame	1	
42	547828	Guard, belt	1	
43	521787	•Decal, warning	1	
44	522131	•Decal, operating instructions	1	
45	522129	•Decal, Lawnaire V	1	
46	547832	Tank, water, complete	1	
47	306932	•Nut, 5/16-18	12	
48	522480	•Gasket, 4 1/2" (114 mm)	1	
49	522481	•Gasket, 3" (76 mm)	1	
50	522586	•Plate, cap, 3" (76 mm)	1	
51	522674	•Sprocket, tank	1	
52	523779	•Tank, water	1	
53	2700541	•Bearing, needle	2	
54	523912	•Fitting, lubrication	1	
55	545887	•Ring, split	2	
56	547823	•Tube, drive	1	
57	548224	•Fitting, lubrication, 1/4-28	1	
58	548604	•Screw, flangelock, 5/16-18 x 3/4"	3	
59	548911	•Nut, flangelock, 5/16-18	3	
60	821274	•Plug, drain	1	
61	547846	Wheel, tine, complete	1	
62	306501	•Screw, 5/16-18 x 1 1/2"	3	
63	521582	•Sprocket	1	
64	521588	•Bushing	3	
65	522229	•Sprocket, drive	1	
66	522361	•Tine, 3/4" (19 mm)	42	
67	2700541	•Bearing, needle	2	
68	547820	•Wheel, tine	1	
69	548224	•Fitting, lubrication, 1/4-28	1	
70	548604	•Screw, 5/16-18 x 3/4", flangelock	3	
71	548911	•Nut, flangelock, 5/16-18	3	
72	800290	•Locknut, 5/16-18	87	
73	800606	•Bolt, carriage, 5/16-18 x 1 1/2"	84	
74	548052	Locknut, 3/8-16, Unitorque	1	
75	548118	Bearing, ball	2	
76	306981	Washer, 3/8"	5	
77	548175	Washer, 1/4"	2	
78	548366	Key, 3/16 x 1 1/4"	1	
79	548960	Sprocket, idler	2	
80	523939	•◇Spacer, axle	As Req'd	
81	548478	•◇Spacer	As Req'd	

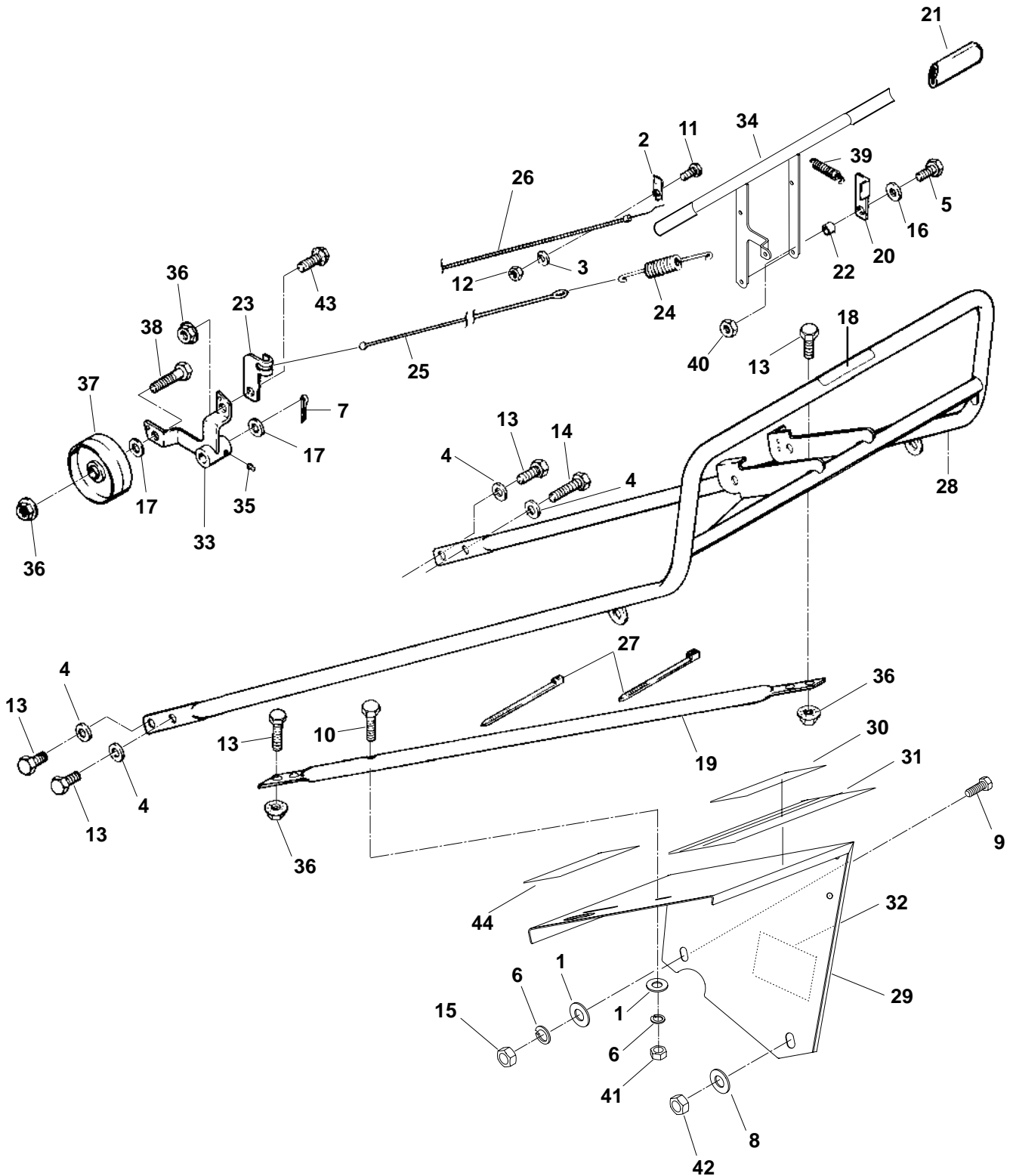
• INDENTED PART NAMES INDICATE THESE PARTS INCLUDED IN THE PRECEDING ASSEMBLY.

NOTE: Obtain Replacement Engine Locally

◇ These spacers are used to obtain a maximum of 1/32" end play on the water tank and tine wheel axles. This amount of end play insures that the V-ring seal is properly sealed against the chassis.

11.3 CONTROLS & HANDLE

UNITS BUILT AFTER 5-22-96



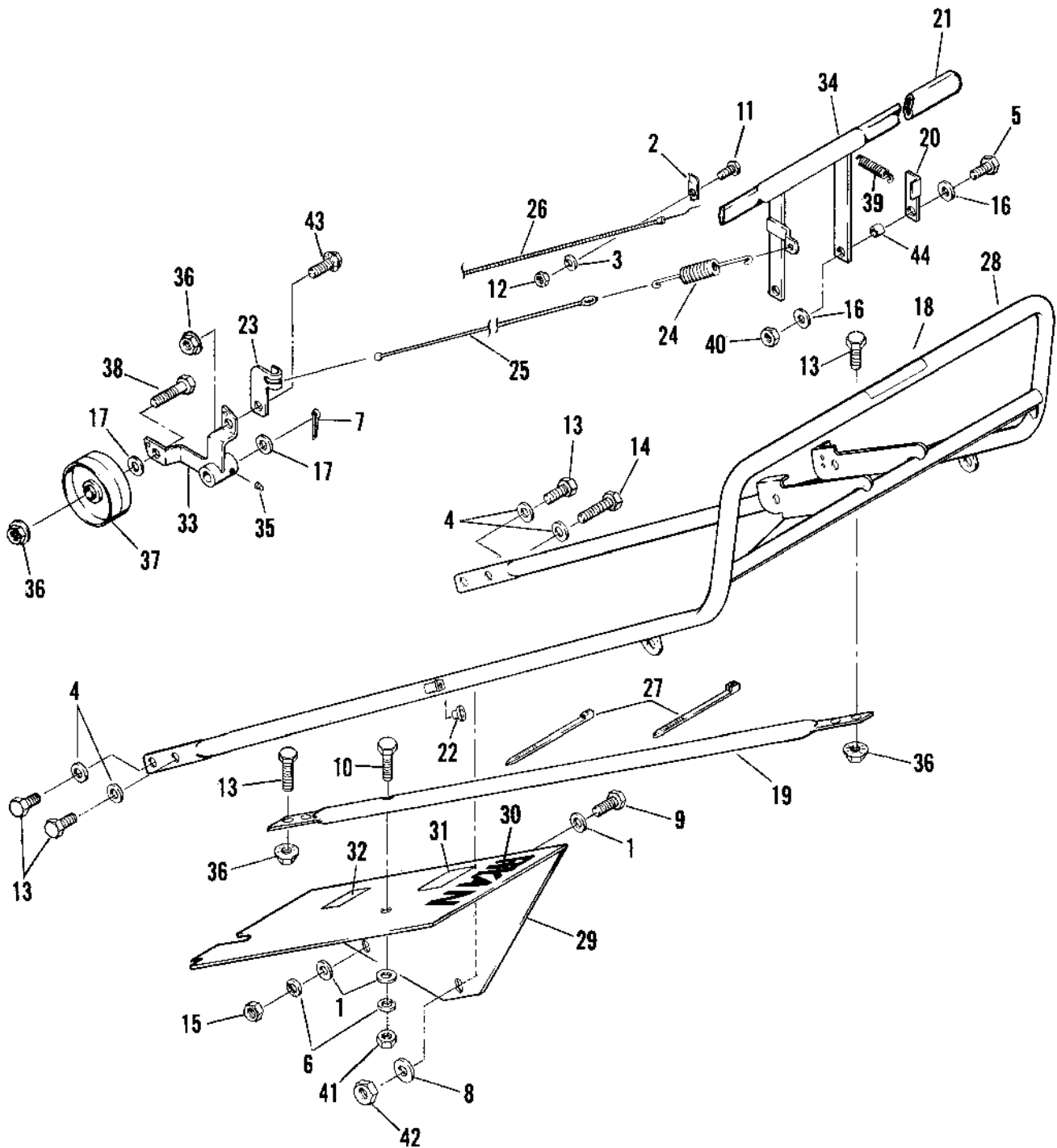
UNITS BUILT AFTER 5-22-96

Ref. No.	Part No.	Description	No. Req'd	Notes
1	103867	Washer, 5/16"	3	
2	111898	Clamp	1	
3	120052	Lockwasher, #10	1	
4	120177	Lockwasher, 3/8"	4	
5	306409	Screw, 1/4-20 x 1"	2	
6	306325	Lockwasher, 5/16"	2	
7	306328	Pin, cotter, 3/32"	1	
8	306405	Washer, fender	1	
9	306322	Screw, 5/16-18 x 7/8"	1	
10	306501	Screw, 5/16-18 x 1 1/2"	1	
11	306514	Screw, #10-24 x 1/2"	1	
12	306531	Nut, #10-24	1	
13	306414	Screw, 3/8-16 x 1"	7	
14	306835	Screw, 3/8-16 x 1 1/4"	1	
15	306932	Nut, 5/16-18	1	
16	308090	Washer, 1/4"	2	
17	306981	Washer, 3/8"	2	
18	521712	Decal, Operating	1	
19	524476	Support, center	1	
20	523000	Lever, throttle	1	
21	523139	Grip, handle	2	
22	817019	Bushing	2	
23	524808	Clamp, cable	1	
24	523898	Spring	1	
25	547445	Cable, clutch	1	
26	547735	Cable, throttle, Honda, 42 3/8" (108 cm)	1	
	540218	Cable, Throttle, Briggs & Stratton, 51" (130 cm)	1	
27	320107	•Tie, plastic	2	
28	540312	Handle	1	
29	547827	Cover, tine	1	
30	524281	•Decal, Ryan, 1"	1	
31	838494	•Decal, stripe, 2.38" x 20' (6.1 M)	As Req'd	
32	869081	•Decal, danger (hands & feet)	1	
33	547854	Bellcrank, clutch	1	
34	547862	Handle, clutch/throttle	1	
35	548225	Fitting, lubrication	1	
36	548804	Nut, 3/8-16, flangelock	6	
37	548942	Pulley, idler	1	
38	2702117	Screw, 3/8-16 x 2"	1	
39	602937	Spring	1	
40	800059	Locknut, 1/4-20	2	
41	800290	Locknut, 5/16-18	1	
42	800292	Locknut, 3/8-16	1	
43	306414	Screw, 3/8-16 x 1"	1	
44	844847	Decal, Textron	1	

• INDENTED PART NAMES INDICATE THESE PARTS INCLUDED IN THE PRECEDING ASSEMBLY.

11.4 CONTROLS & HANDLE

UNITS BUILT PRIOR TO 5-22-96



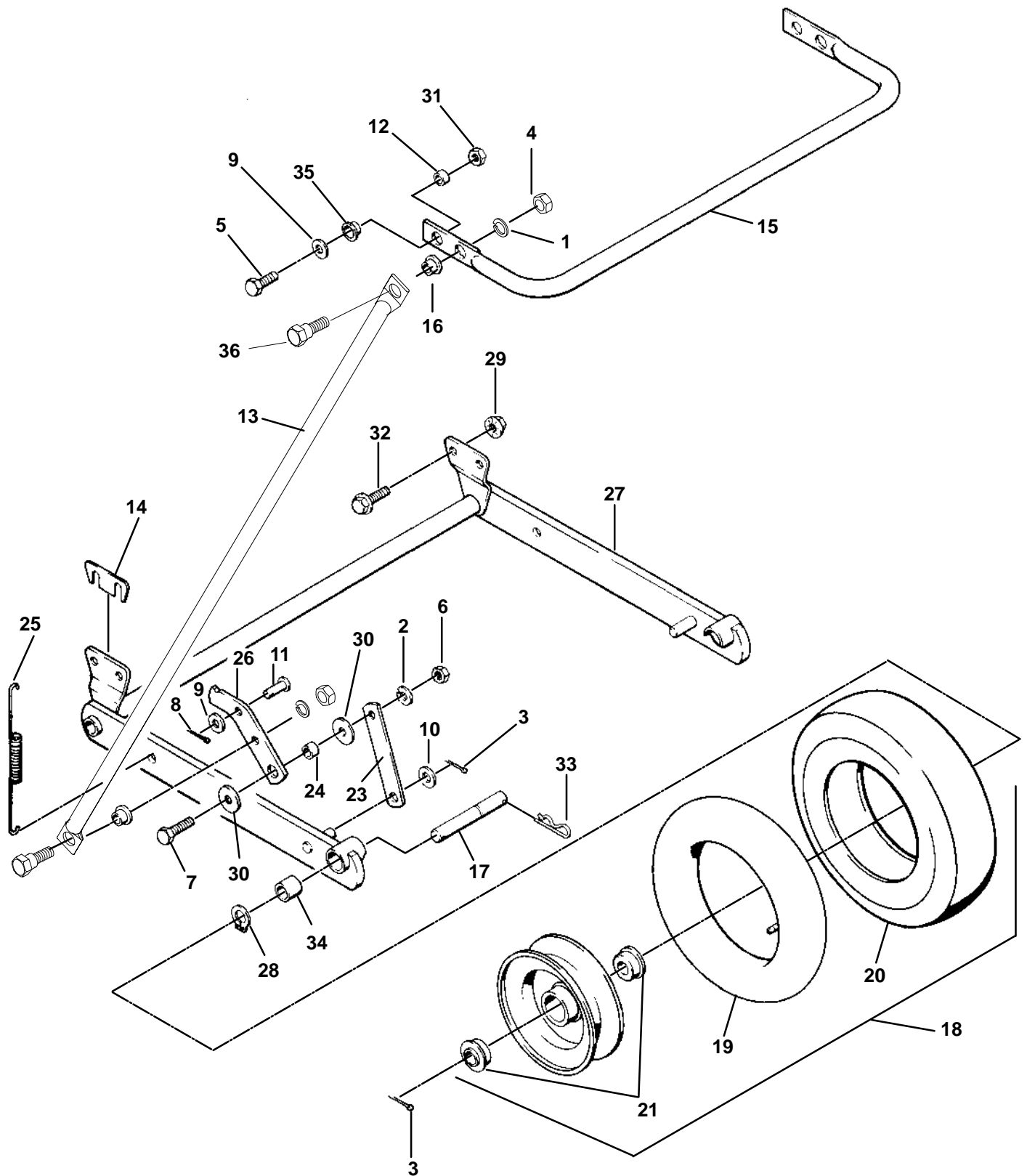
UNITS BUILT PRIOR TO 5-22-96

Ref. No.	Part No.	Description	No. Req'd	Notes
1	103867	Washer, 5/16"	3	
2	111898	Clamp	1	
3	120052	Lockwasher, #10	1	
4	120177	Lockwasher, 3/8"	4	
5	306409	Screw, 1/4-20 x 1	2	
6	306325	Lockwasher, 5/16	2	
7	306328	Pin, cotter, 3/32"	1	
8	306405	Washer, fender	1	
9	306450	Screw, 5/16-18 x 3/4 "	1	
10	306501	Screw, 5/16-18 x 1 1/2"	1	
11	306514	Screw, #10-24 x 1/2"	1	
12	306531	Nut, #10-24	1	
13	306834	Screw, 3/8-16 x 3/4"	7	
14	306835	Screw, 3/8-16 x 1 1/4"	1	
15	306932	Nut, 5/16-18	1	
16	308090	Washer, 1/4"	4	
17	548157	Washer, 1/2"	2	
18	521712	Decal, Operating	1	
19	522988	Support, handle	1	
20	523000	Lever, throttle	1	
21	523139	Grip, handle	2	
22	523363	Bushing	2	
23	523420	Clamp, cable	1	
24	523898	Spring	1	
25	547445	Cable, clutch	1	
26	547735	Cable, throttle	1	
27	320107	•Tie, plastic	2	
28	547824	Handle	1	
29	547827	Cover, tine	1	
30	521167	•Decal, RYAN	4	
31	521782	•Decal, Warning	1	
32	521787	•Decal, Note	1	
33	547854	Bellcrank, clutch	1	
34	547862	Handle, clutch/throttle	1	
35	548225	Fitting, lubrication	1	
36	548804	Nut, 3/8-16, flangelock	6	
37	548942	Pulley, idler	1	
38	551094	Screw, 3/8-16 x 1 3/4"	1	
39	602937	Spring	1	
40	800059	Locknut, 1/4-20	2	
41	800290	Locknut, 5/16-18	1	
42	800292	Locknut, 3/8-16	1	
43	800385	Screw, 3/8-16 x 3/4", flangelock	1	
44	817019	Bushing	2	

• INDENTED PART NAMES INDICATE THESE PARTS INCLUDED IN THE PRECEDING ASSEMBLY.

11.5 HEIGHT ADJUSTER & TRANSPORT FRAME

UNITS BUILT AFTER 5-22-96



HEIGHT ADJUSTER & TRANSPORT FRAME 11.5

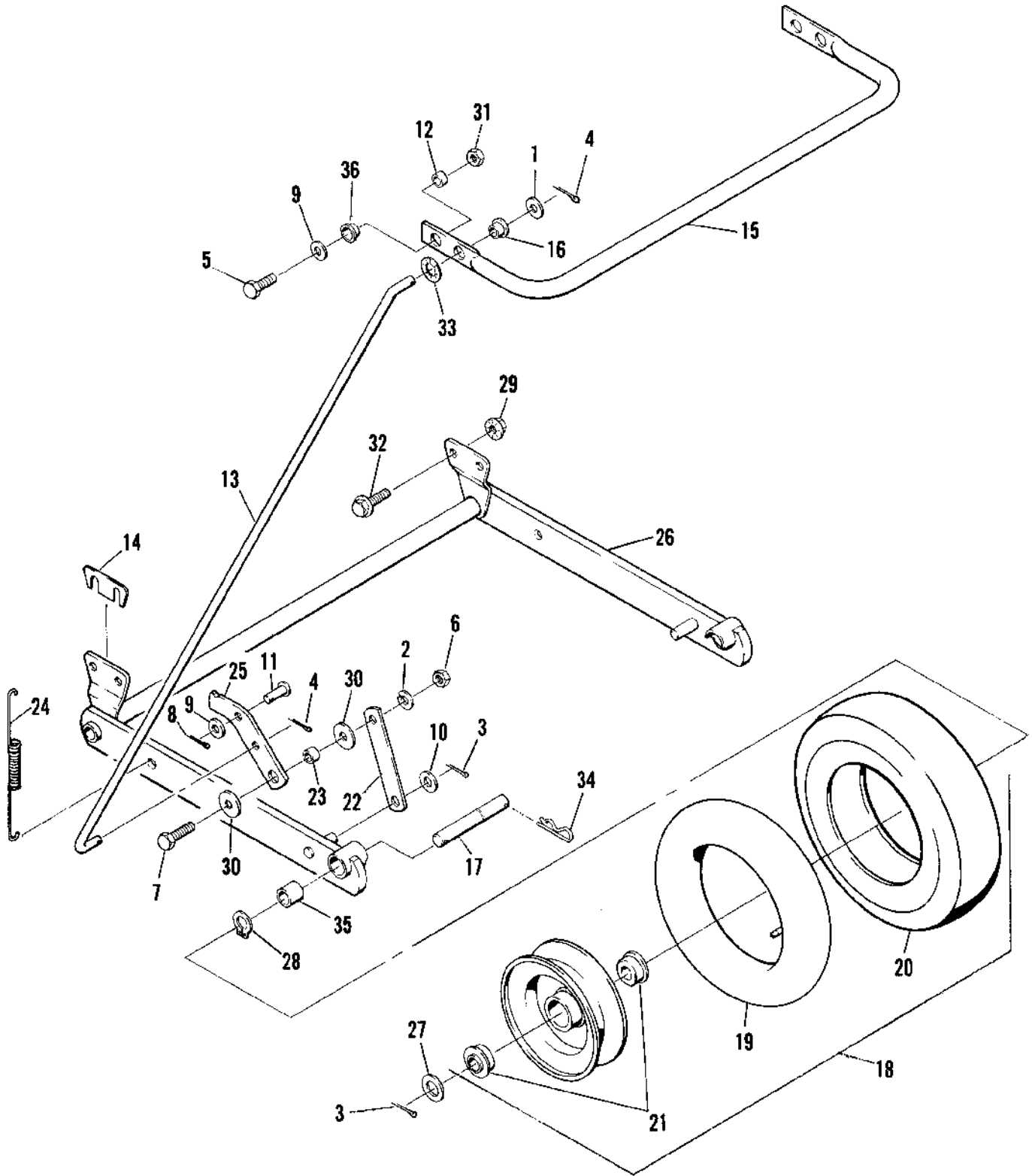
UNITS BUILT AFTER 5-22-96

Ref. No.	Part No.	Description	No. Req'd	Notes
1	306325	Lockwasher, 5/16"	2	
2	120177	Lockwasher, 3/8"	2	
3	304636	Pin, cotter 1/8" x 1 1/8"	2	
4	306932	Nut, 5/16-18	2	
5	306414	Screw, 3/8-16 x 1"	2	
6	306562	Nut, 3/8-16	2	
7	306835	Screw, 3/8-16 x 1 1/4"	2	
8	306956	Pin, cotter, 1/8" x 3/4"	2	
9	306981	Washer, 3/8"	2	
10	548157	Washer, 1/2"	4	
11	516634	Pin, clevis, 3/8" x 1 3/4"	2	
12	518438	Bushing	2	
13	524638	Tube, control	2	
14	522440	Spacer	2	
15	523778	Handle, height adjustment	1	
16	524643	Bearing, split	4	
17	523881	Shaft, axle	2	
18	547625	Wheel, complete	2	
19	523261	•Tube, 2.80/2.50 x 4	1	
20	523262	•Tire, 2.80/2.50 x 4, 4-ply	1	
21	523263	•Bearing	2	
22	547707	Link Kit	1	Not shown as an assembly in parts illustration.
23		•Link, height adjustment (LOWER)	2	
24	521679	•Bushing	2	
25	523366	•Spring, extension	2	
26	523423	•Link, height adjustment (UPPER)	2	
27	547837	Frame, transport	1	
28	548324	Ring, snap	2	
29	548804	Nut, flangelock, 3/8-16	4	
30	604174	Washer, 3/8"	4	
31	800292	Nut, lock, 3/8-16	2	
32	800385	Screw, flangelock, 3/8-16 x 3/4"	4	
33	809265	Hairpin	2	
34	828084	Bushing, bronze	2	
35	830165	Bushing	2	
36	524633	Screw, shoulder, 5/16-18 x 1"	2	

• INDENTED PART NAMES INDICATE THESE PARTS INCLUDED IN THE PRECEDING ASSEMBLY.

11.6 HEIGHT ADJUSTER & TRANSPORT FRAME

UNITS BUILT PRIOR TO 5-22-96



HEIGHT ADJUSTER & TRANSPORT FRAME 11.6

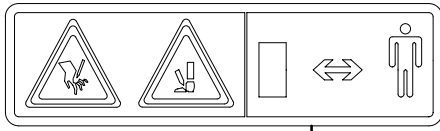
UNITS BUILT PRIOR TO 5-22-96

Ref. No.	Part No.	Description	No. Req'd	Notes
1	103867	Washer, 5/16"	2	
2	120177	Lockwasher, 3/8"	2	
3	304635	Pin, cotter, 1/8 x 1"	4	
4	306328	Pin, cotter, 3/32 x 3/4"	4	
5	306414	Screw, 3/8-16 x 1"	2	
6	306562	Nut, 3/8-16	2	
7	306835	Screw, 3/8-16 x 1 1/4"	2	
8	306956	Pin, cotter, 1/8 x 3/4"	2	
9	306981	Washer, 3/8"	2	
10	548157	Washer, 1/2"	4	
11	516634	Pin, clevis	2	
12	518438	Bushing	2	
13	◇522349	Rod, height adjustment	2	
14	522440	Spacer	2	
15	523778	Handle, height adjustment	1	
16	523358	Bushing, flanged	2	
17	523881	Shaft, axle	2	
18	547625	Wheel, complete	2	
19	523261	•Tube	1	
20	523262	•Tire	1	
21	523263	•Bearing	2	
	547707	Link Kit	1	
22		•Link, height adjustment (LOWER)	2	
23	521679	•Bushing	2	
24	523366	•Spring	2	
25	523423	•Link, height adjustment (UPPER)	2	
26	547837	Frame, transport	1	
27	548165	Washer, special	2	
28	548324	Ring, snap	2	
29	548804	Nut, 3/8-16 flangelock	4	
30	604174	Washer, 3/8"	4	
31	800292	Locknut, 3/8-16	2	
32	548905	Screw, 3/8-16 x 3/4", flangelock	4	
33	800563	Ring, retaining	2	
34	809265	Hairpin	2	
35	828084	Bushing, bronze	2	
36	830165	Bushing	2	

• INDENTED PART NAMES INDICATE THESE PARTS INCLUDED IN THE PRECEDING ASSEMBLY.

◇ Discontinued use rod set 540313, includes parts to replace both rods.

11.7 DECALS



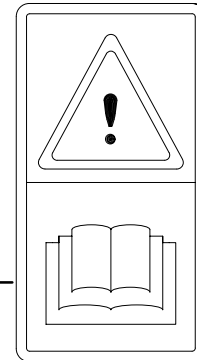
9



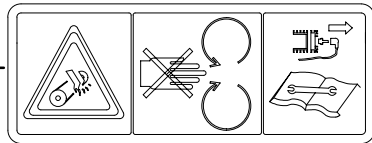
3



5



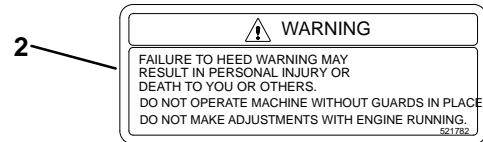
10



8



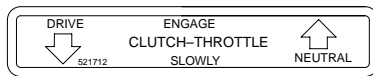
11



2

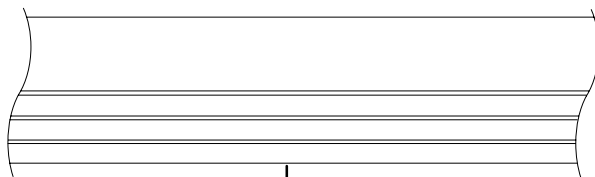
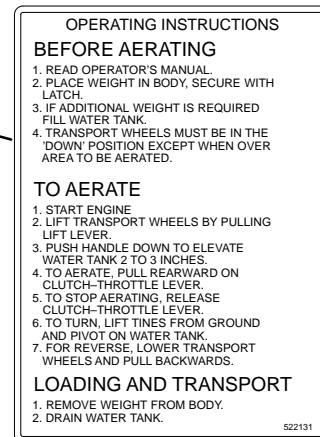


6



1

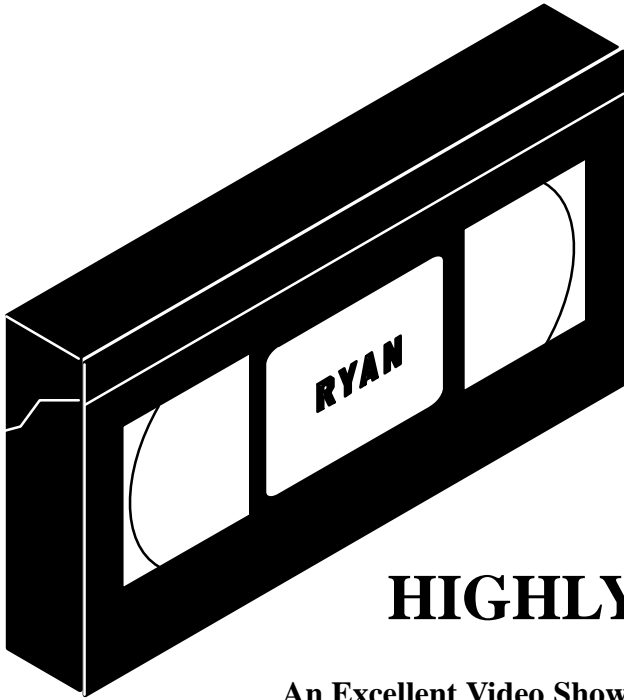
4



7

Ref. No.	Part No.	Description	No. Req'd	Notes
1	521712	Decal, clutch operation	1	
2	521782	Decal, warning, guards	1	
3	521787	Decal, warning	1	
4	522131	Decal, operating instructions	1	
5	524281	Decal, RYAN, 1"	2	
6	524362	◇Decal, Lawnaire V	1	
7	838494	Decal, stripe, 2.38" x 20' (6.1 M)	As Req'd	
8	840697	Decal, warning, hands in belt	1	
9	869081	Decal, danger, hands & feet	2	
10	009034910	Decal, caution operators manual instructions	1	
11	844847	Decal, TEXTRON	2	

◇ The roman numeral 'I' should be removed from decal before application.



LAWNAIRE IV AND LAWNAIRE V VIDEO

**EASY TO FOLLOW
OPERATION AND MAINTENANCE
VIDEO TAPE**

HIGHLY RECOMMENDED!

An Excellent Video Showing:

- **Pre-operational Checks**
- **Engine Start-up**
- **Aeration**
- **Loading and Unloading**
- **Daily and Periodic Maintenance**
- **Storage Procedures For The Lawnaire IV And Lawnaire V Aerators**

VHS Format

14 Minute Running Time

Cost \$10.00

ORDER INFORMATION

Ship to: Attn. _____

Company Name: _____

Street Address: _____

City, State, Zip: _____

Part No.	Description	Qty.	Each	Total
E260030	LAWNAIRE IV & LAWNAIRE V VIDEO		10.00	
	\$2.50 Shipping and Handling Per Tape		2.50	
			Total Enclosed	

Make checks payable to Textron Turf Care and Specialty Products

Return to: Textron Turf Care and Specialty Products

**Attn: Nichole Deschler
1721 Packard Avenue
Racine, WI 53403-2564**

(Please allow 2 weeks for delivery)

TEXTRON TURF CARE AND SPECIALTY PRODUCTS WARRANTY

Textron Turf Care And Specialty Products warrants for one (1) year each new unit or serialized accessories except for the Envirojet high pressure injection system components which are warranted for one (1) year or 200 hours whichever occurs first, according to the following terms:

This warranty extends to the original retail purchaser only and commences on the date of original retail purchase. Accordingly this warranty is not transferable to any subsequent purchasers.

Any part of the unit or serialized accessory manufactured by Textron Turf Care And Specialty Products and found in the reasonable judgement of Textron Turf Care And Specialty Products to be defective in material or workmanship **will be repaired or replaced by** an authorized dealer without charge for parts and labor.

The unit or serialized accessory including any defective part must be returned to an authorized dealer within the warranty period. The expense of returning the unit or serialized accessory to an authorized dealer for warranty service and the expense of returning it back to the owner after repair or replacement will be paid for by the owner. Textron Turf Care And Specialty Products responsibility in respect to claims is limited to making the required repairs or replacements, and no claim of breach of warranty shall be cause for cancellation or rescission of the contract of sale of any unit or serialized accessory.

Proof of purchase will be required by the authorized dealer to substantiate any warranty claim. All warranty work must be performed by an authorized dealer.

Textron Turf Care And Specialty Products makes no warranty with respect to engines, tires, batteries, regulators, starter-generators, electric motors, or other parts not of their manufacture as such parts are usually warranted separately by their respective manufacturers.

This warranty does not include service items subject to normal wear, such as filters, spark plugs, ignition points, brake and clutch linings, belts, light bulbs, fuses, bearings, electrical contacts, etc.

This warranty does not cover any unit or serialized accessory that has been subject to misuse, neglect, negligence, or accident, or that has been operated or maintained in any way contrary to the operating or maintenance instructions as specified in the Operator's Manual. The warranty does not apply to any unit or serialized accessory that has been altered or modified so as to adversely affect the units operation, performance or durability or that has been altered or modified so as to change its intended use. In addition, the warranty does not extend to repairs made necessary by normal wear, or by the use of parts or accessories which in the reasonable judgement of Textron Turf Care And Specialty Products are either incompatible with the unit or adversely affect its operation, performance or durability.

Textron Turf Care And Specialty Products reserves the right to change or improve the design of any unit or serialized accessory without assuming any obligation to modify any unit previously manufactured.

ALL OTHER WARRANTIES OR CONDITIONS, EXPRESS OR IMPLIED, INCLUDING MERCHANTABILITY, FITNESS FOR A PARTICULAR PURPOSE OR OTHERWISE ARE EXPRESSLY EXCLUDED. THERE ARE NO WARRANTIES WHICH EXTEND BEYOND THE DESCRIPTION ON THE FACE HEREOF. ANY ACTION FOR BREACH OF WARRANTY MUST BE COMMENCED NO LATER THAN ONE YEAR FROM THE DATE OF DELIVERY.

TEXTRON TURF CARE AND SPECIALTY PRODUCTS OBLIGATION UNDER THIS WARRANTY IS STRICTLY AND EXCLUSIVELY LIMITED TO THE REPAIR OR REPLACEMENT OF DEFECTIVE PARTS, AND TEXTRON TURF CARE AND SPECIALTY PRODUCTS OBLIGATION DOES NOT ASSUME OR AUTHORIZE ANYONE TO ASSUME FOR THEM ANY OTHER OBLIGATION.

TEXTRON TURF CARE AND SPECIALTY PRODUCTS ASSUMES NO RESPONSIBILITY FOR INCIDENTAL, CONSEQUENTIAL OR OTHER DAMAGES INCLUDING, BUT NOT LIMITED TO, EXPENSE FOR GASOLINE, EXPENSE OF RETURNING THE UNIT TO AN AUTHORIZED DEALER AND EXPENSE OF RETURNING IT BACK TO THE OWNER. MECHANIC'S TRAVEL TIME, TELEPHONE OR TELEGRAM CHARGES, TRAILERING OR TOWING CHARGES, RENTAL OF A LIKE UNIT DURING THE TIME WARRANTY SERVICE IS BEING PERFORMED, TRAVEL, LODGING, LOSS OR DAMAGE TO PERSONAL PROPERTY, LOSS OF REVENUE, LOSS OF USE OF UNIT, LOSS OF TIME OR INCONVENIENCE.

This warranty gives you specific legal rights, and you may also have other rights which vary from state to state.

Textron Turf Care and Specialty Products
P.O. Box 82409
Lincoln, Nebraska 68501-9971

10-99

WARRANTY SERVICE

To make a claim under warranty, contact an authorized dealer immediately upon realizing a problem exists. We recommend having the warranty work performed by the dealer who originally sold you the unit; however, warranty work can be sought from any authorized dealer. Remember, your unit must be delivered to an authorized dealer within the warranty period, and all warranty work must be performed only by an authorized dealer. Proof of purchase will be required by the dealer to substantiate any warranty claim.

EXAMPLES OF ITEMS NOT COVERED UNDER WARRANTY

Provisions of the warranty will not apply to:

Normal service requirements arising during the warranty period, such as carburetor or ignition adjustment and cleaning or wear of a drive belt, brake, clutch linings or starter brushes.

Normal service work over and above the repair and replacement of defective parts.

Unit subject to misuse, neglect, negligence, or accident.

Units that have been altered or modified so as to adversely affect their operation, performance or durability or to change their intended use.

Repairs made necessary by the use of parts or accessories which are either incompatible with the unit or adversely affects the operation, performance or durability.

Units not operated or maintained in accordance with the instructions in the Operator's Manual.

Normal cleaning, adjusting or replacing of such items as filter, spark plugs, ignition points, light bulbs, fuses or starter drive.

Periodic checking or adding of lubricant to the unit or service check-up, tune-up or diagnosis.

Expense of delivering the unit to the dealer and expense of returning the unit back to the owner, mechanic's travel time, trailering or towing charges, or rental of a like unit during the time warranty repairs are being performed.

Engines, tires, batteries, regulators, starter-generators and electric motors manufactured by other than Textron Turf Care And Specialty Products are not covered under this warranty as such parts are usually warranted by their respective manufacturers.

This warranty applies only to the original retail purchaser. Second-owner or subsequently owned units are not covered under warranty.

OWNER'S OBLIGATION AND RESPONSIBILITY

Normal maintenance service and replacement of service items are the responsibility of the owner and as such are not considered defects in material or workmanship within the terms of the warranty. Individual operating habits and usage contribute to the need for maintenance service.

See your dealer for proper maintenance and care of your unit. Proper maintenance and care will assist in keeping your overall operating cost at a minimum.

To validate a warranty claim, it is the owner's responsibility to maintain all components in proper adjustment and service the unit as specified in the Operator's Manual. It is the owner's responsibility to provide proper lubrication for all components and to provide correct recommended fuel for the unit. It is the owner's responsibility to maintain the battery liquid level and charge as specified, as well as maintaining the correct pressure in the tires of this unit.

INDEX

	PAGE		
A		Controls & Handle	
Aerating	8	Built after 5-22-96	20-21
C		Built prior to 5-22-96	22-23
Controls	6	Decals	28-29
Clutch Control	6	Height Adjuster & Transport Frame	
Engine Control	6	Built after 5-22-96	24-25
Height Control	6	Built prior to 5-22-96	26-27
G		S	
General Information	Inside Front Cover	Serial Number Location	2
M		Set-Up	4
Maintenance	9	Specifications	3
Touch-up Paint	9	Aeration	3
Model Number Location	2	Dimensions	3
O		Engines	3
Operation	7	Speed	3
Pre-Operation Check	7	Weight	3
P		Wheels	3
Parts		Storage	10
Aerator & Drive Group		T	
Built after 5-22-96	12-15	Torque Chart	11
Built prior to 5-22-96	16-19	W	
		Warranty	33
		Warranty Service	34

PART NUMBER INDEX

Part No.	Page No.			
009034910	29	523262	25, 27	547707
111898	23	523263	25, 27	547735
2700541	15, 19	523352	13, 17	547820
2701410	15, 19	523358	27	547821
306367	17	523359	13, 17	547823
518438	25, 27	523363	23	547824
521167	23	523366	25, 27	547825
521582	15, 19	523420	23	547827
521588	15, 19	523423	25, 27	547828
521608	13, 17	523603	17	547832
521609	13	523778	25, 27	547837
521613	13, 17	523779	15, 19	547846
521679	25, 27	523794	17	547854
521712	21, 23, 29	523795	13, 17	547862
521782	23, 29	523828	13, 17	547888
521787	13, 19, 23, 29	523881	25, 27	547889
522122	13, 17	523885	13, 17	548118
522129	19	523898	21, 23	548224
522131	15, 19, 29	523912	15, 19	548225
522229	15, 19	523939	15, 19	548324
522349	27	524281	15, 21, 29	548366
522355	13, 17	524362	15, 29	548477
522440	25, 27	524476	21	548478
522480	15, 19	524638	25	548942
522481	15, 19	524643	25	548960
522516	13, 17	524808	21	602937
522586	15, 19	52609	17	817019
522674	15, 19	540218	21	821274
522988	23	540291	13	828084
523000	21, 23	540312	21	830165
523139	21, 23	545887	15, 19	838494
523241	13, 17	545904	13, 17	840697
523261	25, 27	547445	21, 23	841261
		547625	25, 27	844847
				869081



WARNING



The engine exhaust from this product contains chemicals known to the State of California to cause cancer, birth defects or other reproductive harm.

Advertissement



Advertencia

L'émission du moteur de ce matériel contient des produits chimiques que l'Etat de Californie considère être cancérogènes, provoquer des défauts congénitaux et d'autres dangers en matière de reproduction.

El estado de California hace saber que los gases de escape de este producto contienen productos químicos que producen cáncer, defectos de nacimiento y otros daños en el proceso de reproducción humana.