

## A WORD TO E-Z TRENCH OWNERS . . .

THIS MANUAL HAS BEEN PREPARED TO ACQUAINT YOU WITH THE ASSEMBLY, OPERATION AND MAINTENANCE OF YOUR TRENCHING MACHINE, AND TO PROVIDE SAFETY INFORMATION. WE URGE YOU TO READ IT CAREFULLY AND FOLLOW THE RECOMMENDATIONS CONTAINED TO HELP ASSURE THE MOST TROUBLE-FREE OPERATION.

WE WOULD LIKE TO TAKE THIS OPPORTUNITY TO THANK YOU FOR CHOOSING E-Z TRENCH, AND TO ASSURE YOU OF OUR CONTINUING INTEREST IN YOUR NEEDS.

### INDEX

1. A WORD TO E-Z TRENCH OWNERS
2. WARNING & SAFETY PRECAUTIONS / OPERATING INSTRUCTIONS
3. TROUBLE SHOOTING / MAINTENANCE SCHEDULE
- 4.-5. PARTS DRAWING / PARTS LIST
- 6.-7. TERMS & CONDITIONS OF SALE
8. MAINTENANCE GRID

# E-Z TRENCH<sup>®</sup>

*OUR NAME SAYS IT ALL*

## Bedscaper<sup>™</sup> BE400



### *Owners Manual*

**E-Z Trench Manufacturing Co., Inc.**

**2315 S. Hwy. 701 • Loris, S.C. 29569**

**(843) 756-6444**

**Fax (843) 756-6442**

**[www.eztrench.com](http://www.eztrench.com)**

## WARNINGS! & SAFETY PRECAUTIONS

1. KEEP HANDS AND FEET CLEAR OF HIGH SPEED DIGGING BLADE.
2. NEVER MANUALLY ROTATE BLADE WHEN ENGINE IS IN "ON" POSITION.
3. ALWAYS WEAR EYE PROTECTION.
4. KEEP HANDS AND FEET CLEAR OF PULLEYS AND BELTS WHEN ENGINE IS RUNNING.
5. CLEAR TRENCHING PATH OF ANY DEBRIS OR TOOLS.
6. LOCATE ALL UNDERGROUND POWER, TELEPHONE, GAS AND WATER LINES BEFORE TRENCHING.
7. NEVER ATTEMPT TO USE THE MACHINE WITH THE GUARD/S REMOVED. BODILY HARM COULD OCCUR.
8. NEVER MODIFY ANY PART OF THE MACHINE TO USE FOR A PURPOSE OTHER THAN WHAT IT IS DESIGNED FOR.
9. DO NOT USE MACHINE FOR ANY PURPOSE OTHER THAN ITS INTENDED PURPOSE.

## OPERATING INSTRUCTIONS

1. FILL CRANKCASE OF ENGINE AND CLUTCH WITH OIL. FOLLOW INSTRUCTIONS OF ENGINE MANUFACTURER.
2. START ENGINE.
3. PRESS DOWN ON HANDLES SLIGHTLY TO REMOVE DOWNWARD PRESSURE ON DEPTH ADJUSTMENT PIN THEN SQUEEZE LEFT TRIGGER. AS YOU DO THIS, SQUEEZE THE RIGHT THROTTLE TRIGGER TO MAXIMUM THROTTLE. (THIS STARTS THE BLADE SPINNING SO IT WILL DIG INTO THE GROUND AS YOU LOWER THE FRONT TO OPERATION DEPTH.)
4. NEXT, SLOWLY LOWER THE FRONT TIRES WHILE RELEASING THE LEFT TRIGGER TO SET IT AT THE SHALLOWEST DEPTH SETTING. (2' WITH THE STANDARD BEDSCAPER ROTOR.) REPEAT STEP 3 AND 4 TO LOWER TO THE NEXT DEPTH SETTING AS DESIRED. REPEAT STEPS UNTIL REACHING THE MAXIMUM DEPTH SETTING. (SOMETIMES THE PIN SLIPS PAST THE MAX DEPTH SETTING AND YOU SHOULD PRESS DOWN SLIGHTLY TO FULLY ENGAGE IT.)  
- THE STANDARD ROTOR ALLOWS CUTTING DEPTHS OF 2 INCHES, 3 INCHES, AND 4 INCHES.
5. VERIFY THAT YOUR TRENCHING PATH IS CLEAR AND PROCEED TO PULL GENTLY.
6. TO CREATE CURVED BEDS, SIMPLY PULL THE MACHINE IN THE DIRECTION YOU WANT IT TO GO. GUIDE THE LEFT REAR TIRE ALONG EXISTING BED EDGES TO REDEFINE THEM.
7. WHEN YOU ARE FINISHED TRENCHING, SWITCH THE ENGINE TO "OFF".
8. MOVE FRONT WHEELS TO TRAVELING POSITION BY PRESSING DOWN ON THE HANDLES AND PULLING THE LEFT TRIGGER. WITH THE LEFT TRIGGER PULLED YOU CAN THEN PUSH DOWN ON THE HANDLES UNTIL THE FRONT WHEELS ARE IN THE TOP POSITION. RELEASE LEFT TRIGGER.

## TROUBLE SHOOTING

PROBLEM	SOLUTION
IRREGULAR OR EXCESSIVE BELT WEAR	<ol style="list-style-type: none"> <li>1. CHECK FOR PULLEY MISALIGNMENT.</li> <li>2. USE OF OTHER THAN FACTORY POWER-RATED BELTS.</li> <li>3. RATE OF DIG IS TOO FAST FOR SOIL CONDITION.</li> </ol>
EXCESSIVE VIBRATION	<ol style="list-style-type: none"> <li>1. LOOSE, BENT, OR BROKEN BLADE OR BIT.</li> <li>2. LOOSE ENGINE MOUNT BOLTS.</li> <li>3. ENGINE R.P.M. SHOULD BE 3600 R.P.M.</li> </ol>
HOUSING CLOGGING WITH DIRT	<ol style="list-style-type: none"> <li>1. SOIL IS TOO WET.</li> <li>2. FOREIGN OBJECT IN HOUSING.</li> </ol>
BENT OR BROKEN DIGGING BLADE	<ol style="list-style-type: none"> <li>1. STRIKING HARD OBJECTS, SUCH AS BRICKS, LARGE ROCKS, AND STEEL OBJECTS.</li> </ol>

## MAINTENANCE SCHEDULE

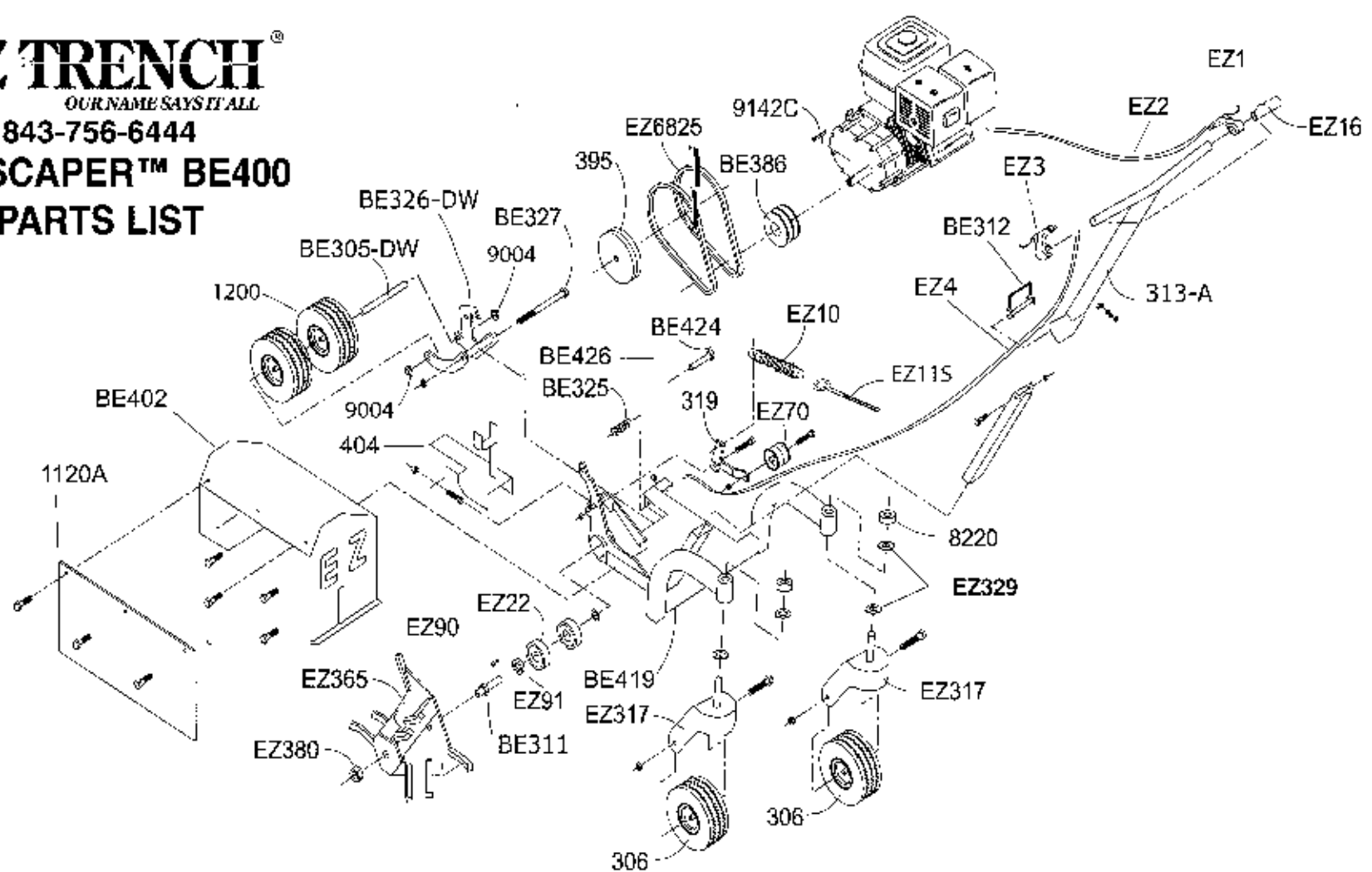
Perform at every indicated month or operating hour interval, whichever comes first.	Every Use	First month or 20 Hrs.	Every 3 months or 50 Hrs.	Every 6 months or 100 Hrs.
Check blade and bits	○			
Check engine oil & air filter	○			
Lubricate pivot points after washing	○			
Tighten any loose bolts		○		
Change engine oil		○	○	
Check air pressure of tires			○	
Clean air filter or replace			○	
Change clutch oil		○	○	

# E-Z TRENCH<sup>®</sup>

OUR NAME SAYS IT ALL

843-756-6444

## BEDSCAPER™ BE400 PARTS LIST



PART #	DESCRIPTION
306	PNEUMATIC TIRE & WHEEL
319	BELT IDLER
395	4" ROTOR SHAFT PULLEY
404	ENGINE BRACKET/BELT GUARD
1200	FRONT TIRE
8220	CASTER PUSH CAP
1120A	DEBRIS DEFLECTOR
313-A	HANDLE
9004	FRONT WHEEL PUSH CAPS
9142C	DRIVE SHAFT KEY
BE305-DW	FRONT AXLE
BE311	OUTPUT SHAFT
BE312	HANDLE LOCK PIN

4.

PART #	DESCRIPTION
BE419	FRAME
BE424	DEPTH ADJUSTMENT PIN
BE325	DEPTH ADJ. PIN RETURN SPRING
BE326-DW	FRONT WHEEL CARRIAGE
BE327	F.W.C. PIVOT BOLT
BE386	3" ENGINE PULLEY
BE402	ROTOR GUARD
BE419	FRAME
BE426	DEPTH ADJ. CABLE RETAINER
EZ1	THROTTLE TRIGGER
EZ2	THROTTLE CABLE
EZ3	DEPTH ADJ. TRIGGER

PART #	DESCRIPTION
EZ4	DEPTH ADJ. CABLE
EZ10	BELT TENSION SPRING
EZ11S	TENSIONER EYE BOLT
EZ16	HANDLE GRIPS
EZ22	SEALED BEARING
EZ70	IDLER PULLEY
EZ90	OUTPUT SHAFT KEY
EZ91	CONCENTRIC LOCK COLLAR
EZ317	CASTER
EZ329	REAR CASTER BUSHINGS
EZ365	LANDSCAPE BLADE
EZ380	BLADE NUT
EZ6825	1/2" X 25" DRIVE BELT

5.

## TERMS AND CONDITIONS OF SALE

### USE:

E-Z TRENCHER IS DESIGNED TO TRENCH IN SOIL ONLY. ANY OTHER USE IS AT THE RISK OF THE OWNER.

### PRICES:

Prices are subject to change without notice and will be invoiced at prices in effect on date of order.

### CHANGES:

E-Z TRENCH MANUFACTURING, Inc. reserves the right to discontinue items, change specification, design, or prices at any time, without notice and without incurring any obligation whatsoever.

### FREIGHT POLICY:

All orders are F.O.B., Loris, South Carolina USA. Title to goods and risk of loss passed in Loris, South Carolina.

### DAMAGED OR LOST SHIPMENTS:

All shipments must be carefully inspected. In case of damaged or loss, accept the shipment, but have carrier note damages or loss on delivery receipt. If it is concealed damage, call carrier for inspection. Make claim for damage with carrier.

### LIMITED WARRANTY:

The E-Z Trencher is warranted against defects in workmanship or materials for a period of one year. Blades, bits, belts and bearings, which are normal wear items, are not warranted. This warranty covers replacement of parts only, no consequential damages are covered. In the event of a warranty claim contact E-Z Trench Manufacturing Company, Inc. This warranty does not include products which have been subject to improper use, or application, or misuse, neglect or accident; nor does it attend to products which have been repaired or altered by other than E-Z Trench Manufacturing Company, Inc. All warranty repairs are F.O.B., Loris, S.C., U.S.A. E-Z Trench Manufacturing Company, Inc. will not be responsible for any transportation charges.

THERE IS NO OTHER EXPRESS WARRANTY TO THE EXTENT PERMITTED BY LAW ALL IMPLIED WARRANTIES INCLUDED THOSE OF MERCHANTABILITY AND FITNESS FOR A PARTICULAR PURPOSE ARE EXCLUDED. LIABILITY FOR CONSEQUENTIAL DAMAGES UNDER ANY AND ALL WARRANTIES ARE EXCLUDED TO THE EXTENT THAT EXCLUSION IS PERMITTED BY LAW. Some states do not allow limitation on how long an implied warranty lasts, and some

## TERMS AND CONDITIONS OF SALE CONTINUED

states do not allow the exclusion or limitation or incidental or consequential damages, so the above limitation and exclusion may not apply to you. This warranty gives you specific legal rights and you may also have other rights which may vary from state to state.

E-Z Trench Manufacturing Company, Inc. does not warrant the engine but the purchaser must look to engine manufacturer for the warranty of the engine.

### NORMAL WEAR:

Warranty will not cover repair where normal use has exhausted the life of a part. Trenchers, like all mechanical devices, need periodic parts replacement and service to perform well. It should be remembered that the service life of any trencher is dependent on the care it receives and the conditions under which it has to operate. Trenchers operate in harsh conditions, which can cause what appears to be premature wear. Such wear, when caused by rocks or other abrasive material, is not covered by warranty.

### E-Z TRENCH WARRANTY DOES NOT COVER ABUSE OR NEGLECT:

1. Bent or broken parts; Such damage is normally the result of abuse, such as striking a solid object with the cutting blade.
2. Broken parts, which results from excessive vibration caused by loose engine mounting, loose cutting blades, unbalanced blades, improperly attaching equipment to trencher, overspeeding or abuse in operation.
3. Misuse, neglect, improper operation, damage or abuse.
4. Alteration or removal of name plates or serial numbers.
5. Modification or change of this product outside the factory.

### STANDARD TERMS:

1. C.O.D./F.O.B., Loris, SC, USA
2. Cash, money order, certified check, or wire transfer with order.
3. 30 day with approved credit.

All sales are final with no right to return, price protection or implied consignment. No person, including agent, representative, or employee of E-Z TRENCH MANUFACTURING, Inc. is authorized to assume for E-Z TRENCH MANUFACTURING, Inc. any obligation or liability concerning terms or conditions of sale other than that expressly stated herein.

EFFECTIVE MARCH 1, 1985